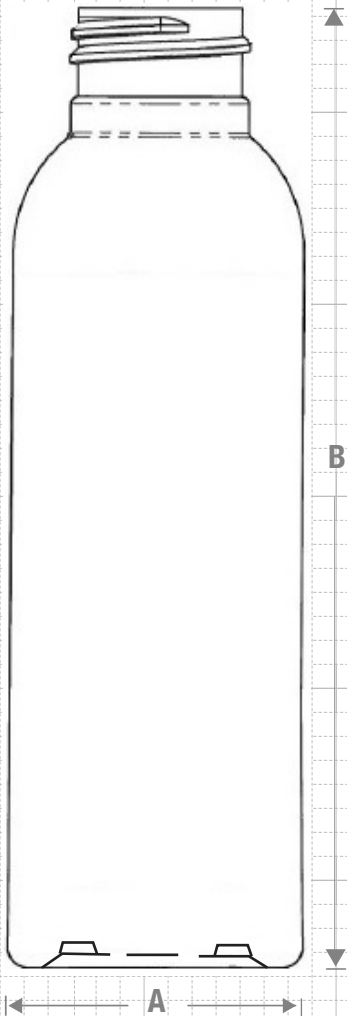




FRONT VIEW



Drawing:
**3oz Imperial Round
24/410**

Stock Code:
000300050240000

Manufacturing Process:
Extrusion Blow Molding

Overflow Capacity:
107.7-114.2 ml (3.65- 3.87 oz)

Gram Weight:
13.0 ± 1

Neck Finish:
24/410

Base Width (A):
1.510 ± 0.050

Overall Height (B):
4.868 ± 0.05

Max Print Area (Height):

Max Print Area (Width):

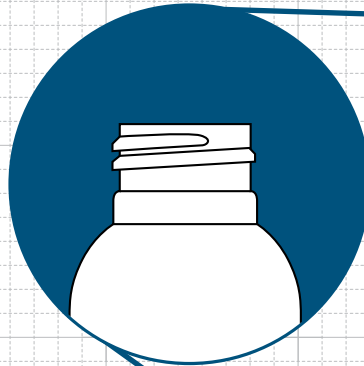
Case Pack: **558**

Case Weight (lb): **18.1 ± 1.2**

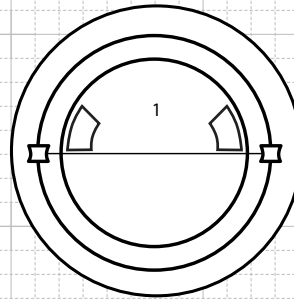
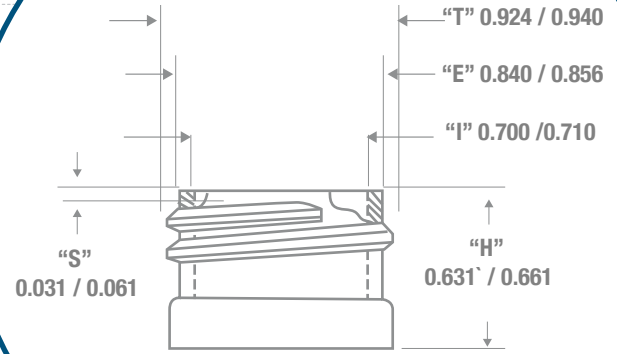
Cases Per Pallet: **25**

Box Dimensions:
23 5/8 x15 9/16 x17

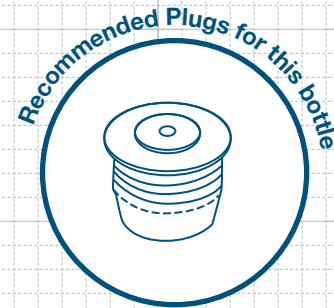
Stock Material:



NECK & THREAD DETAIL



BOTTOM VIEW



FRICTION FIT

CLASSIC CONTAINERS INC
1700 S. Hellman Ave.
Ontario, CA 91761
Phone: 909-930-3610
e-mail: info@classiccontainers.com
www.classiccontainers.com