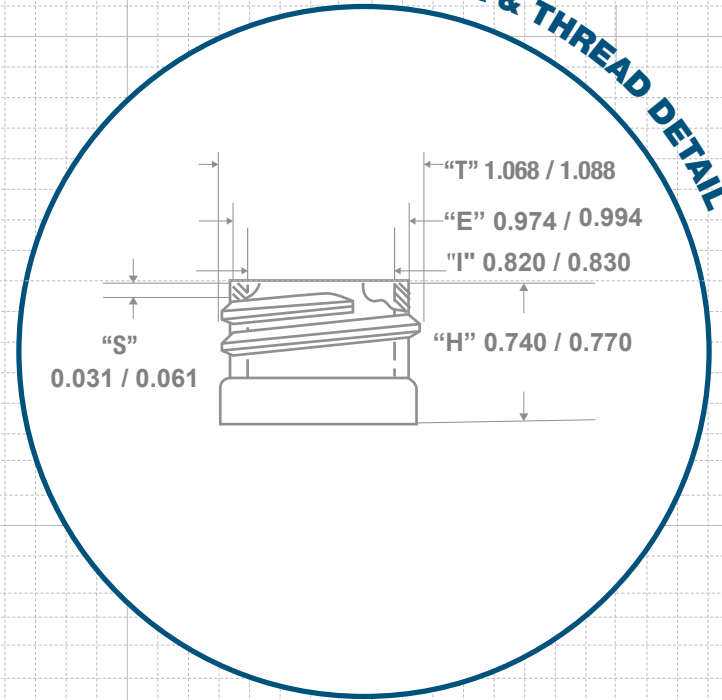
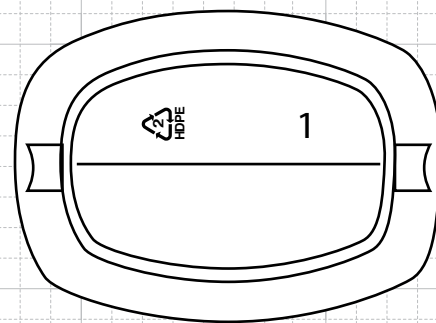
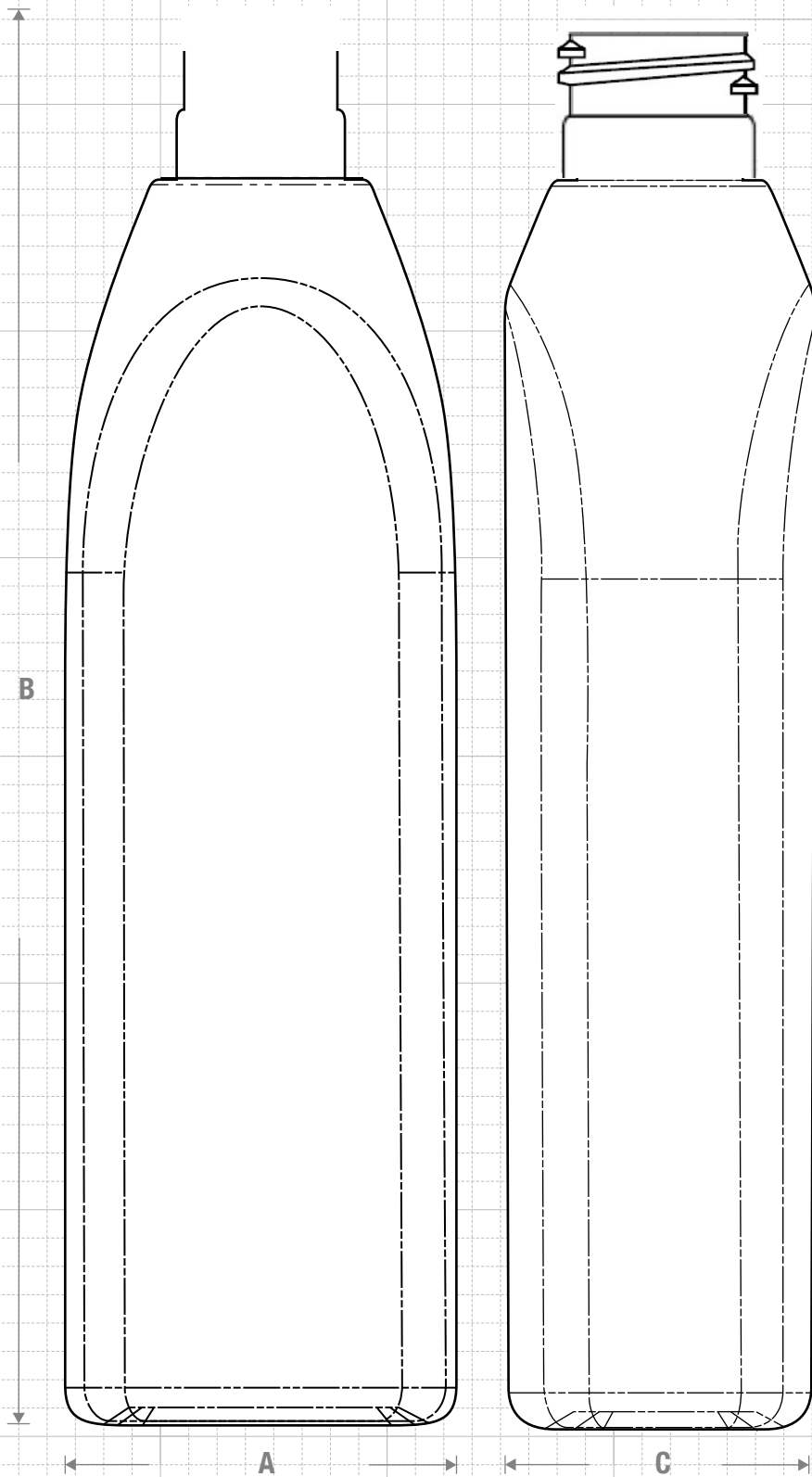




NECK & THREAD DETAIL



FRONT VIEW



BOTTOM VIEW



CLASSIC CONTAINERS INC
 1700 S. Hellman Ave.
 Ontario, CA 91761
 Phone: 909-930-3610
 e-mail: info@classiccontainers.com
 www.classiccontainers.com

Drawing:
300 ml Allure 28/410 Spl

Stock Code:
030001110250000

Manufacturing Process:
Extrusion Blow Molding

Overflow Capacity:
319 -336 ml (10.8 - 11.4 oz)

Gram Weight:
24.0 ± 2

Neck Finish:
24/415

Base Width (A) Base Deep (C):
2.216± 0.050 1.733±0.050

Overall Height (B):
7.961 ± 0.050

Max Print Area (Height):
5.532"

Max Print Area (Width):
1.300"/ 0.687"

Case Pack: **360**

Case Weight (lb): **22.0 ± 1.6**

Cases Per Pallet: **16**

Box Dimensions:
24 7/16 x18 1/2 x 23

Stock Material:



Rev #0 02/220

Drawing not exactly to size.

