



Drawing:
20 mm Dropper Tip
Round End Controlled
Friction Fit Rib Standard

Stock Code:
20T022810060060

Manufacturing Process:
Injection Molding

Stock Color:
Natural

Gram Weight:
1.05 ± 0.10

Case Pack:
5000

Case Weight (lb):
12.5 ± 1.1

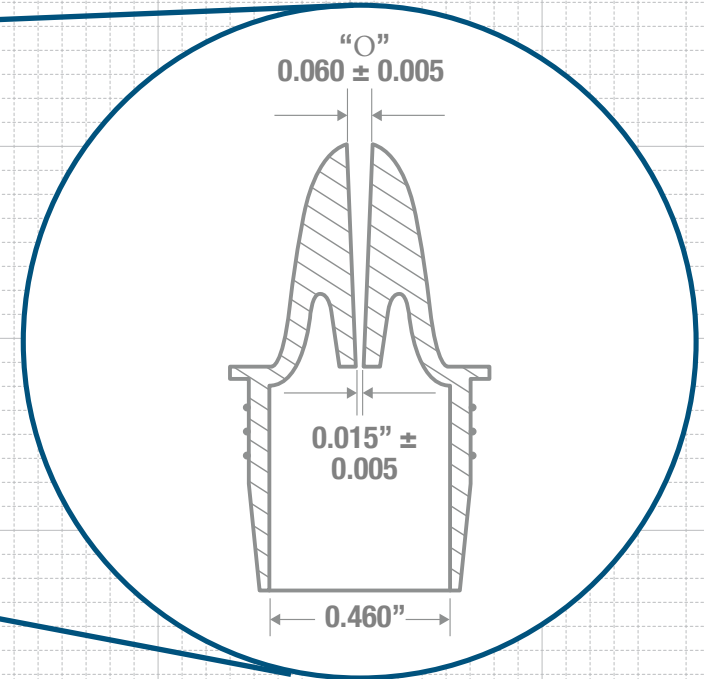
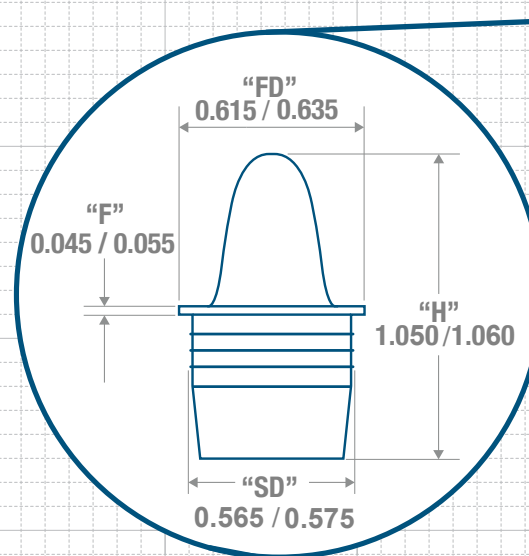
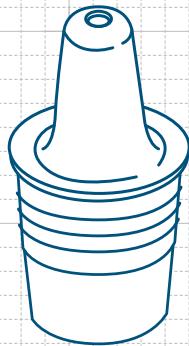
Cases Per Pallet:
45

Box Dimensions:
12 x 12 x 10

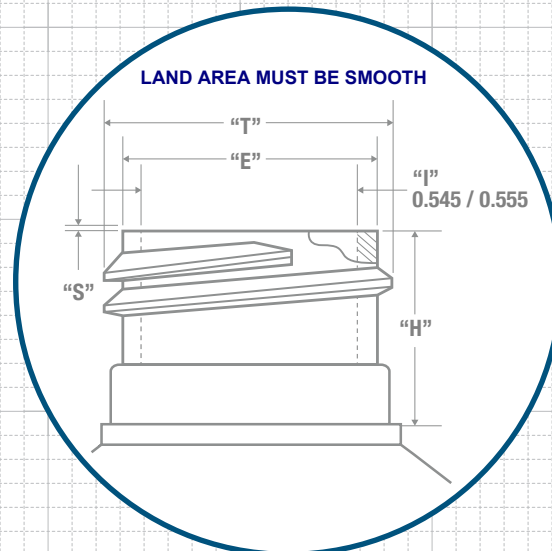
Stock Material:



DROPPER TIP DETAIL



RECOMMENDED NECK FINISH



CLASSIC CONTAINERS INC
 1700 S. Hellman Ave.
 Ontario, CA 91761
 Phone: 909-930-3610
 e-mail: info@classiccontainers.com
 www.classiccontainers.com