



Drawing:
**20 mm Dropper Tip Round
 End Uncontrolled Friction
 Fit Rib Standard**

Manufacturing Process:
Injection Molding

Stock Color:
Natural

Gram Weight:
1.00 ± 0.10

Case Pack:
5000

Case Weight (lb):
12.0 ± 1.1

Cases Per Pallet:
45

Box Dimensions:
12 x 12 x 10

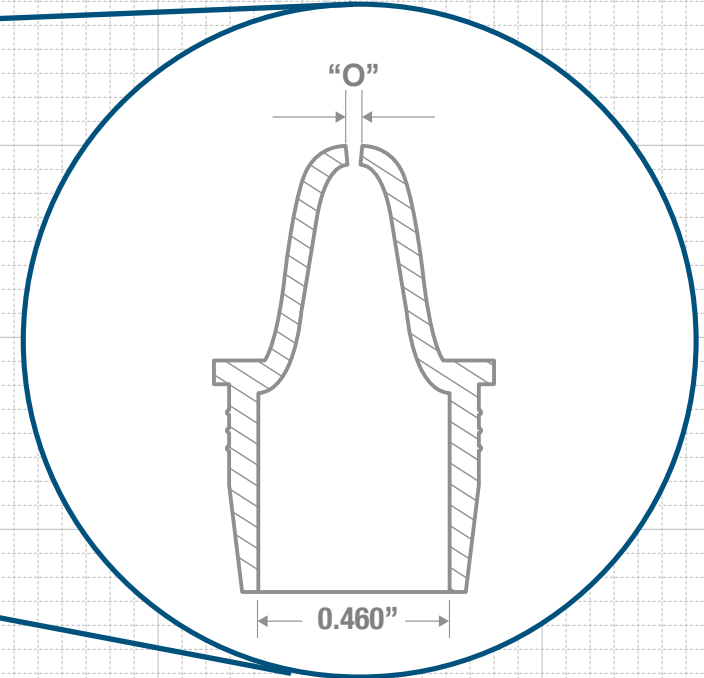
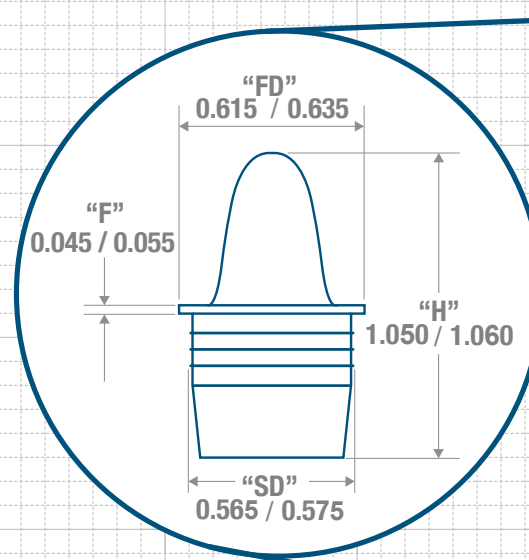
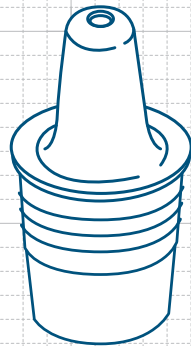
"O" ORIFICE OPTIONS:

Stock Code:	Orifice Size:
20T022810040030	.030" ± 0.005
20T022810040050	.050" ± 0.005

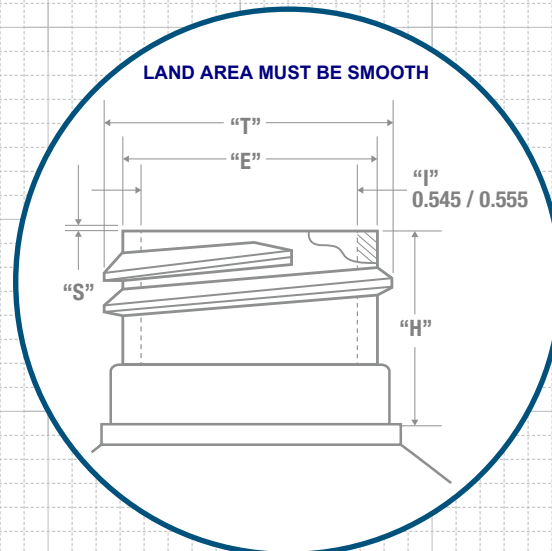
Stock Material:



DROPPER TIP DETAIL



RECOMMENDED NECK FINISH



CLASSIC CONTAINERS INC
 1700 S. Hellman Ave.
 Ontario, CA 91761
 Phone: 909-930-3610
 e-mail: info@classiccontainers.com
 www.classiccontainers.com