



Drawing:
**20 mm Dropper Tip
Controlled Friction
Fit Rib Non Standard**

Stock Code:
20T00080005NS60

Manufacturing Process:
Injection Molding

Stock Color:
Natural

Gram Weight:
1.10 ± 0.10

Case Pack:
5000

Case Weight (lb):
13.0 ± 1.1

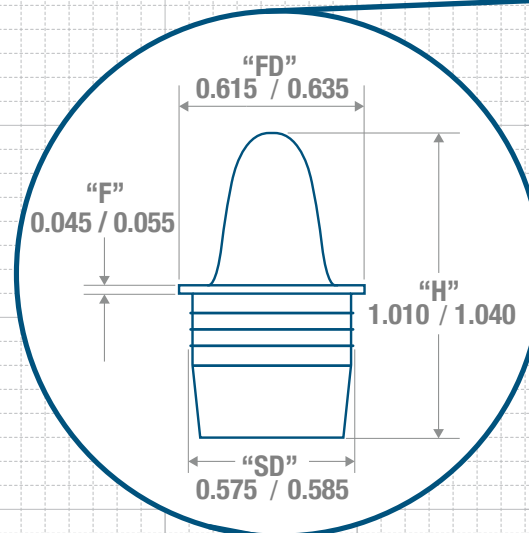
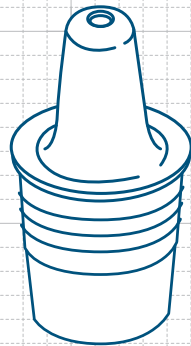
Cases Per Pallet:
45

Box Dimensions:
12 x 12 x 10

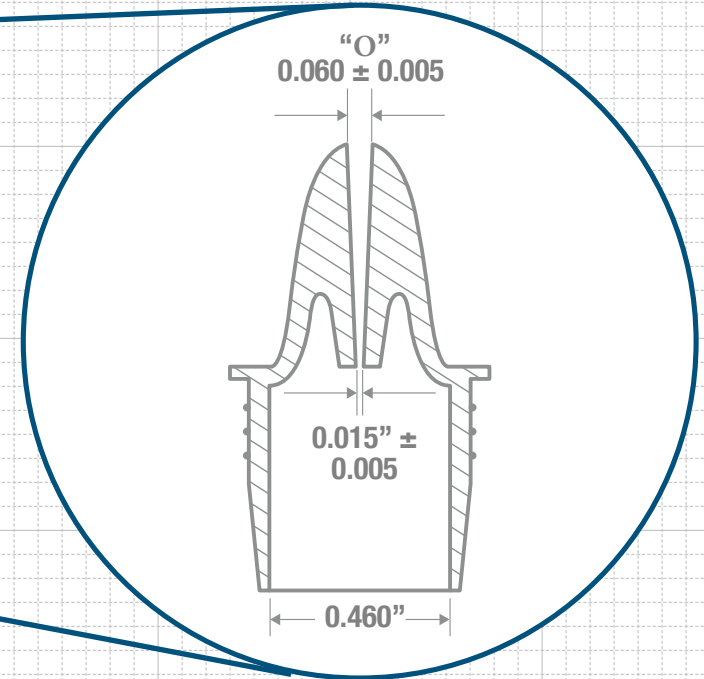
Stock Material:



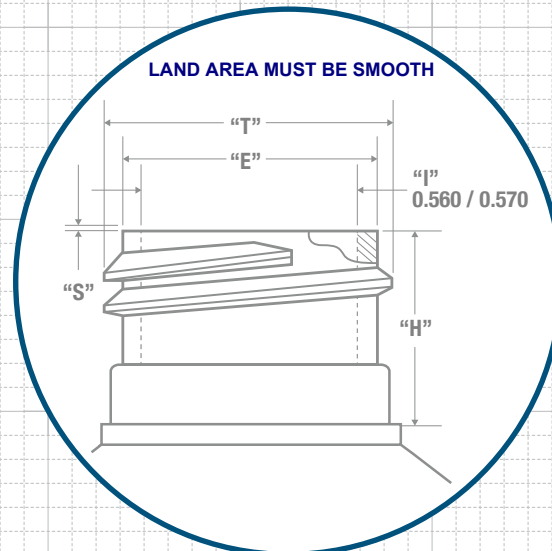
CLASSIC CONTAINERS INC
1700 S. Hellman Ave.
Ontario, CA 91761
Phone: 909-930-3610
e-mail: info@classiccontainers.com
www.classiccontainers.com



DROPPER TIP DETAIL



RECOMMENDED NECK FINISH



LAND AREA MUST BE SMOOTH