



Drawing:  
2 oz Imperial Round Tall  
20/415

Stock Code:  
000200400210000

Manufacturing Process:  
Extrusion Blow Molding

Overflow Capacity:  
65- 71 ml (2.2 - 2.4 oz)

Gram Weight:  
8.5 ± 1

Neck Finish:  
20/415

Base Width (A):  
1.272 ± 0.050

Overall Height (B):  
4.555± 0.050

Max Print Area (Height):  
3.000"

Max Print Area (Width):  
3.750"

Case Pack: 874

Case Weight (lb): 19.5 ± 1.9

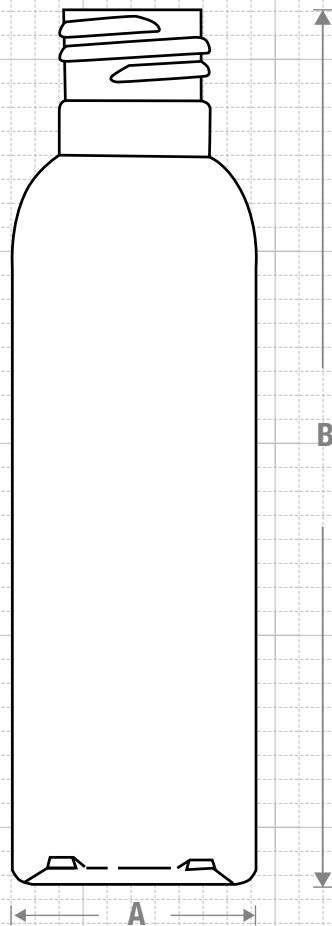
Cases Per Pallet: 25

Box Dimensions:  
23 5/8 x15 9/16 x17

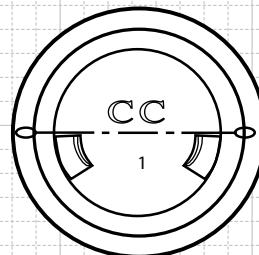
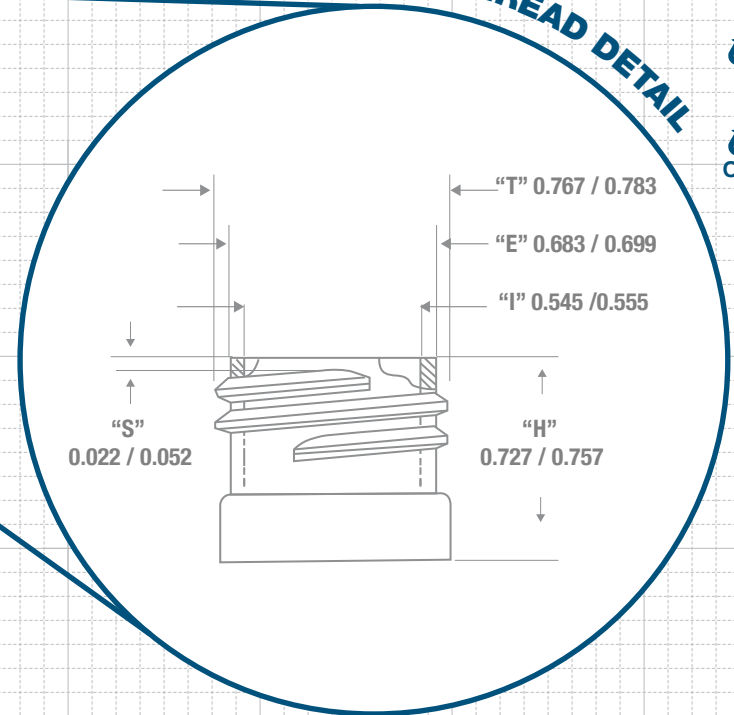
Stock Material:



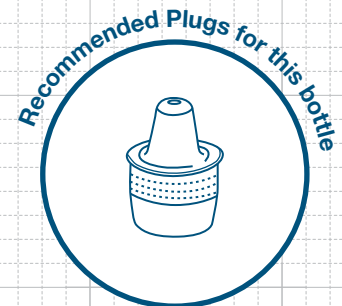
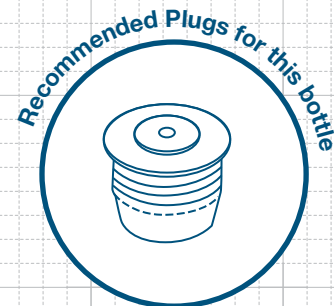
### FRONT VIEW



### NECK & THREAD DETAIL



### BOTTOM VIEW

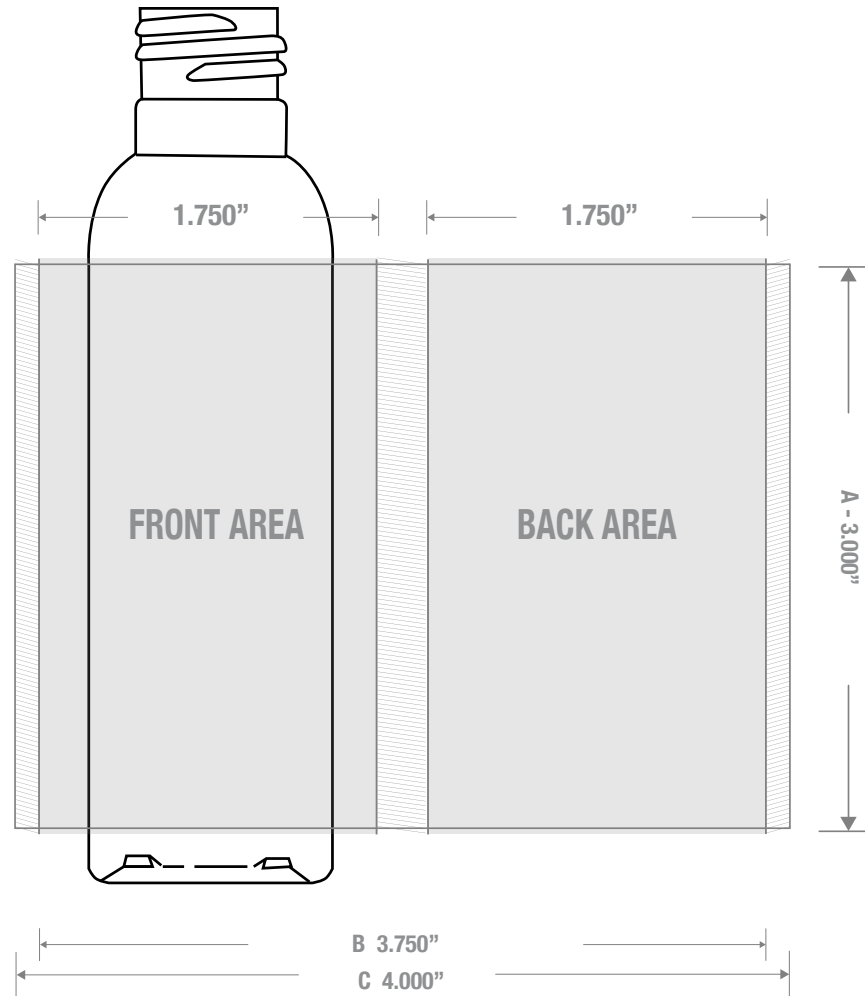


### FRICION FIT



**CLASSIC CONTAINERS INC**  
1700 S. Hellman Ave.  
Ontario, CA 91761  
Phone: 909-930-3610  
e-mail: info@classiccontainers.com  
www.classiccontainers.com

PRINTING SPECIFICATIONS: 2 oz IMPERIAL ROUND TALL 20/415



1700 S Hellman Ave, Ontario, California 91761  
Phone: (909) 930-3610 | Fax: (909) 930-3640  
e-mail: [info@classiccontainers.com](mailto:info@classiccontainers.com)  
[www.classiccontainers.com](http://www.classiccontainers.com)

A - Total Height.  
B - Max. Decorating Area.  
C - Total bottle circumference.  
▨ - Unprintable area.