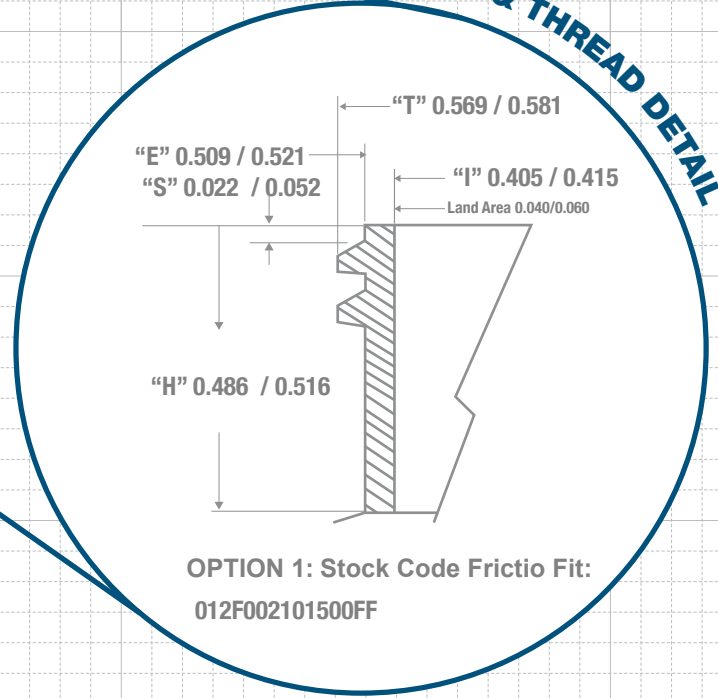




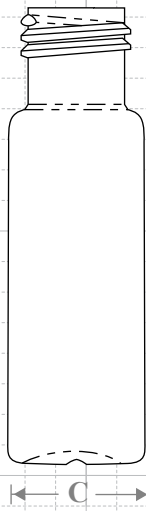
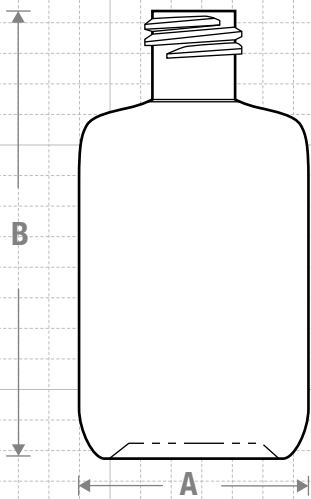
FRONT VIEW



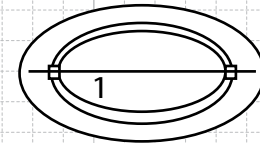
NECK & THREAD DETAIL



OPTION 1: Stock Code Frictio Fit:
012F002101500FF

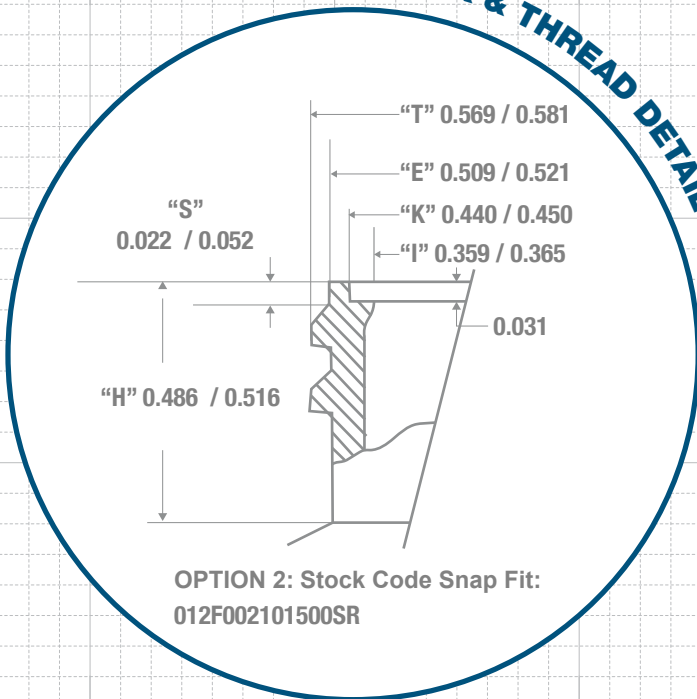


SIDE VIEW



BOTTOM VIEW

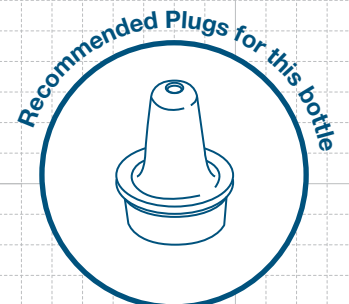
NECK & THREAD DETAIL



OPTION 2: Stock Code Snap Fit:
012F002101500SR



DROPPER TIP CAP



SNAP FIT



CLASSIC CONTAINERS INC
1700 S. Hellman Ave.
Ontario, CA 91761
Phone: 909-930-3610
e-mail: info@classiccontainers.com
www.classiccontainers.com

Drawing:
1/2 oz Drug Oval 15/415

Gram Weight:
4 ± 0.5

Max Print Area (Height):
1.125"

Cases Per Pallet: **20**

Stock Code:
**1/2oz Drug Oval 15/415 Friction Fit:
012F002101500FF**

Neck Finish:
15/415

Max Print Area (Width):
0.875"

Box Dimensions:
23^{5/8} x 15^{9/16} x 17

**1/2oz Drug Oval 15/415 Snap Fit:
012F002101500SR**

Manufacturing Process:
Extrusion Blow Molding

Base Width (A): Base Deep (C)
1.274 ± 0.050 0.709 ± 0.050

Case Pack: **2500**

Stock Material:



Overflow Capacity:
16.8 - 19.2 ml (0.57 - 0.65 oz)

Overall Height (B):
2.390 ± 0.050

Case Weight (lb): **24.2 ± 2.8**

Rev #4 - 06/2020

Drawing not exactly to size.

