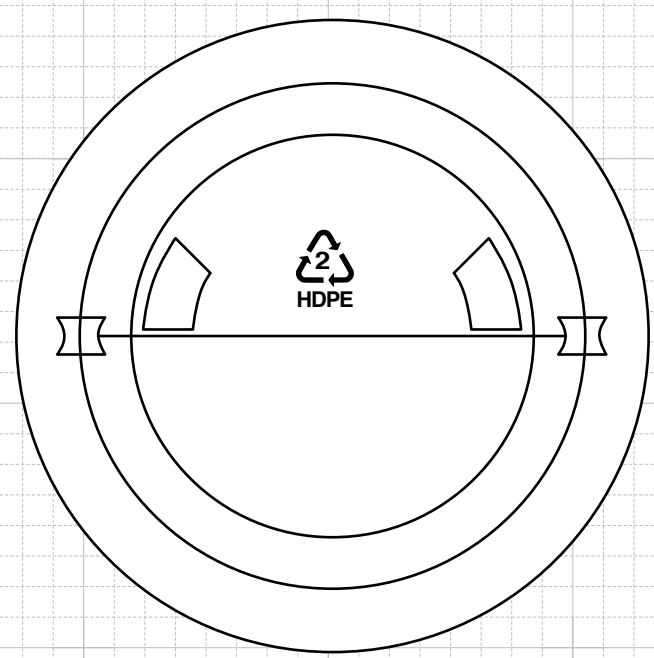
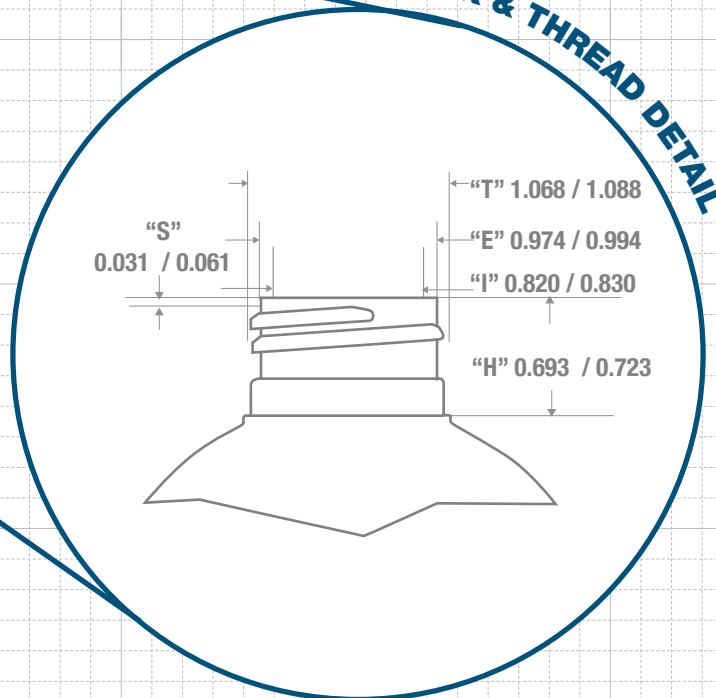
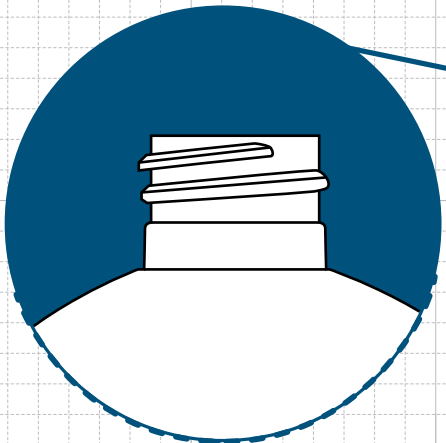
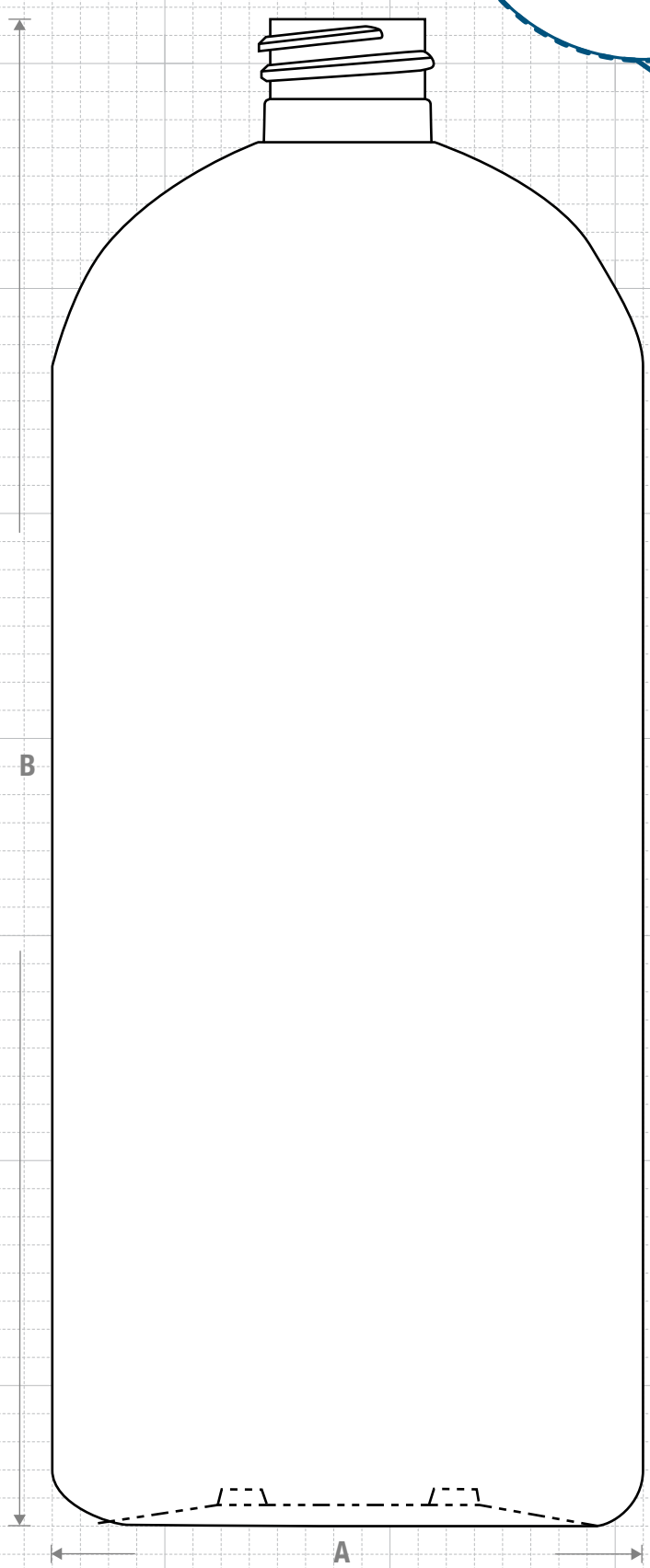




# NECK & THREAD DETAIL

## FRONT VIEW

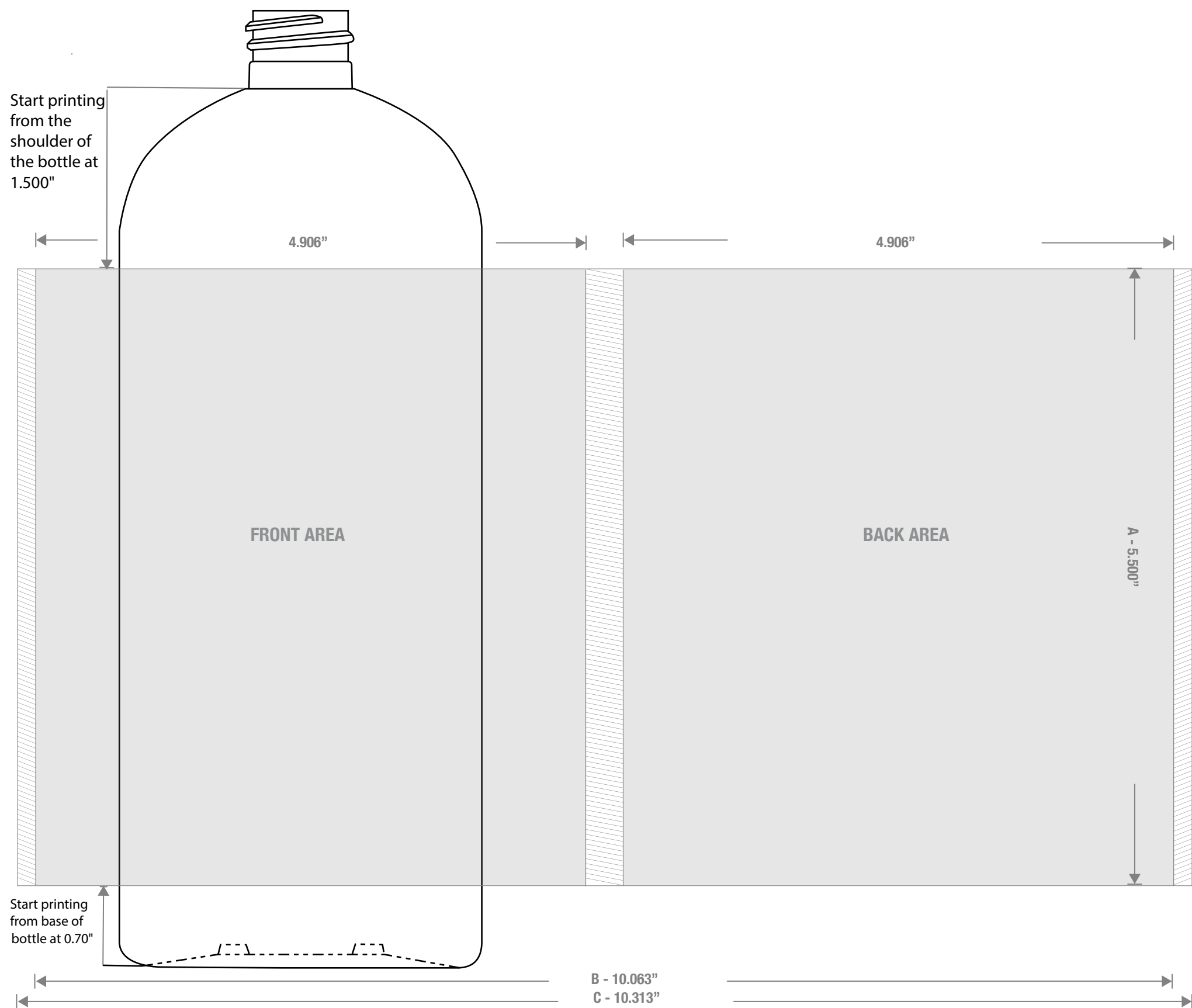


## BOTTOM VIEW



**CLASSIC CONTAINERS INC**  
 1700 S. Hellman Ave.  
 Ontario, CA 91761  
 Phone: 909-930-3610  
 e-mail: info@classiccontainers.com  
 www.classiccontainers.com

Drawing: <b>32 oz Royalty Round 28/410</b>	Gram Weight: <b>55.0 ± 2</b>	Max Print Area (Height): <b>5.500"</b>	Cases Per Pallet: <b>16</b>
Stock Code: <b>003200040280000</b>	Neck Finish: <b>28/410</b>	Max Print Area (Width): <b>10.063"</b>	Box Dimensions: <b>24 7/16 x 18 1/2 x 23</b>
Manufacturing Process: <b>Extrusion Blow Molding</b>	Base Width (A): <b>3.365± 0.05</b>	Case Pack: <b>108</b>	Stock Material:
Overflow Capacity: <b>1009 - 1033 ml (34.2 -35.0 oz)</b>	Overall Height (B): <b>8.550 ± 0.05</b>	Case Weight (lb): <b>16.0 ± 0.5</b>	Rev #3 07/2018 Drawing not exactly to size.





**LASSIC  
CONTAINERS  
Inc.**

1700 S Hellman Ave, Ontario, California 91761  
Phone: (909) 930-3610 | Fax: (909) 930-3640  
e-mail: [info@classiccontainers.com](mailto:info@classiccontainers.com)  
[www.classiccontainers.com](http://www.classiccontainers.com)

**A - Total Height.**  
**B - Total bottle circumference.**