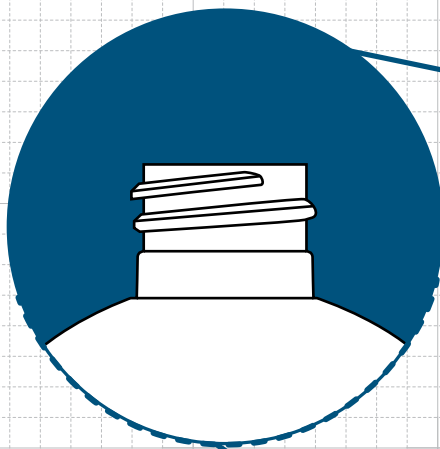
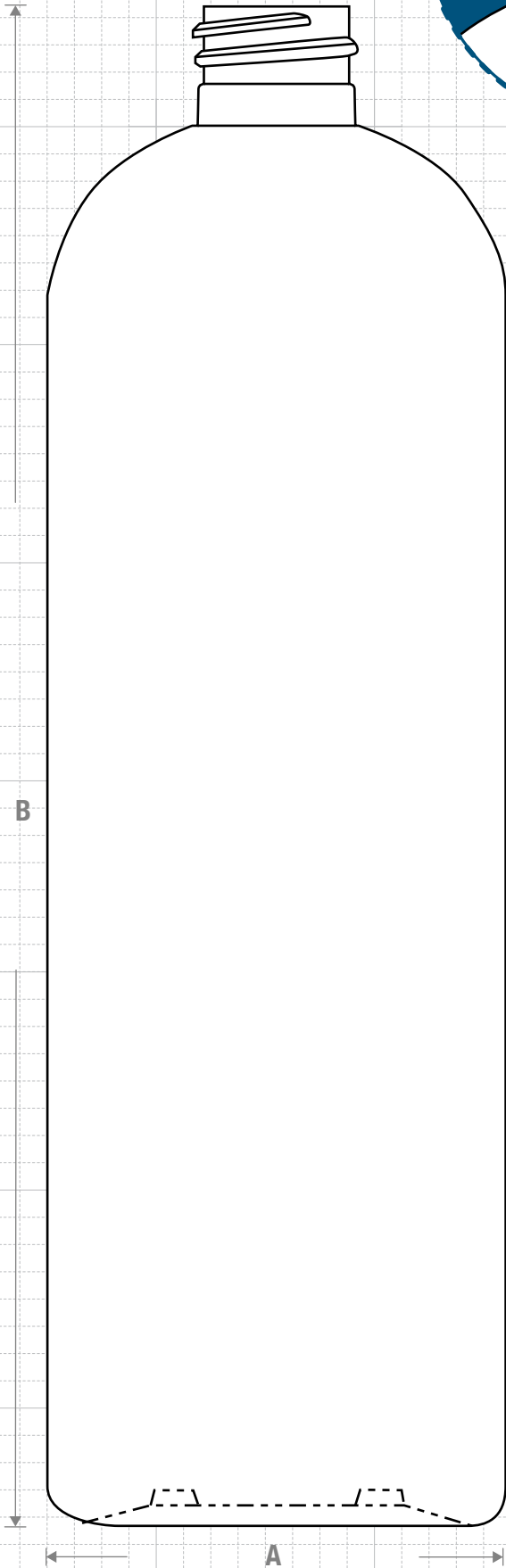
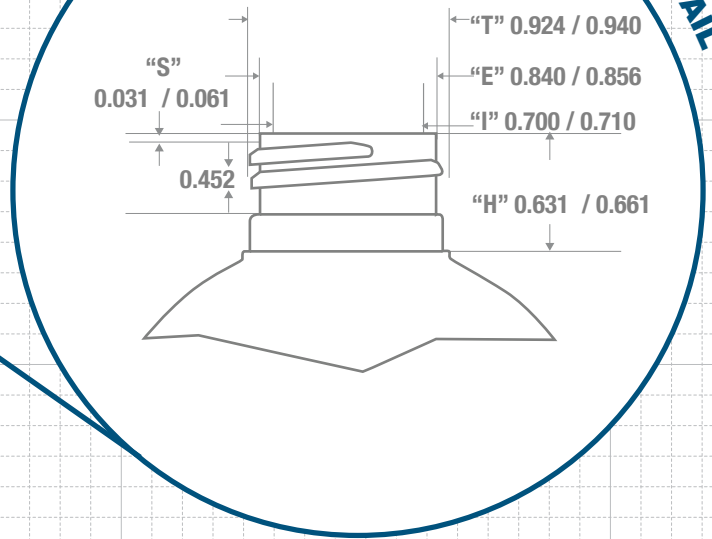




FRONT VIEW



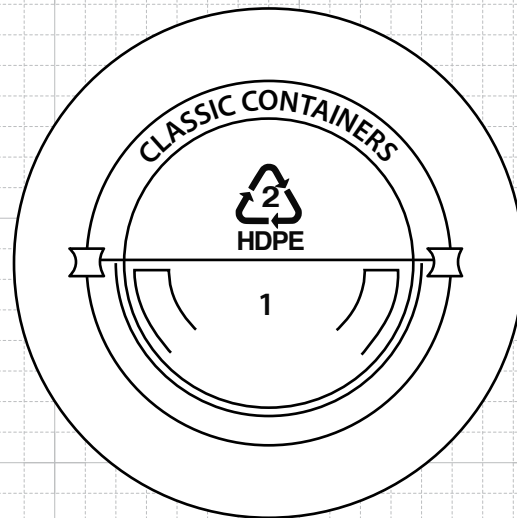
NECK & THREAD DETAIL



Recommended Plugs for this bottle



FRICTION FIT



BOTTOM VIEW



CLASSIC CONTAINERS INC
1700 S. Hellman Ave.
Ontario, CA 91761
Phone: 909-930-3610
e-mail: info@classiccontainers.com
www.classiccontainers.com

Drawing:
20 oz Royalty Round 24/410

Gram Weight:
43.0 ± 2

Max Print Area (Height):
6.312"

Cases Per Pallet: **16**

Stock Code:
002000040240000

Neck Finish:
24/410

Max Print Area (Width):
8.063"

Box Dimensions:
24 7/16 x 18 1/2 x 23

Manufacturing Process:
Extrusion Blow Molding

Base Width (A):
2.650± 0.050

Case Pack: **172**

Stock Material:



Overflow Capacity:
631- 655 ml (21.4 - 22.2 oz)

Overall Height (B):
8.650 ± 0.050

Case Weight (lb): **19.2 ± 0.8**

Rev #6 06/2016

Drawing not exactly to size.

