



Drawing:
8 oz Royalty Round 28/410

Stock Code:
000800040280000

Manufacturing Process:
Extrusion Blow Molding

Overflow Capacity:
260 - 277 ml (8.8 - 9.4 oz)

Gram Weight:
21 ± 2

Neck Finish:
28/410

Base Width (A):
2.025 ± 0.050

Overall Height (B):
6.250 ± 0.050

Max Print Area (Height):
4.375"

Max Print Area (Width):
6.125"

Case Pack: **417**

Case Weight (lb): **22.1 ± 1.8**

Cases Per Pallet: **16**

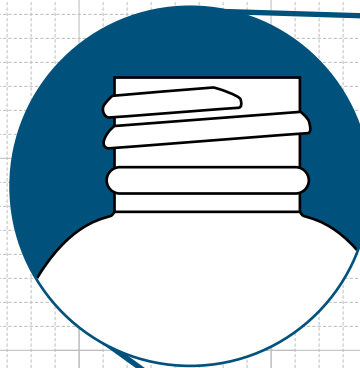
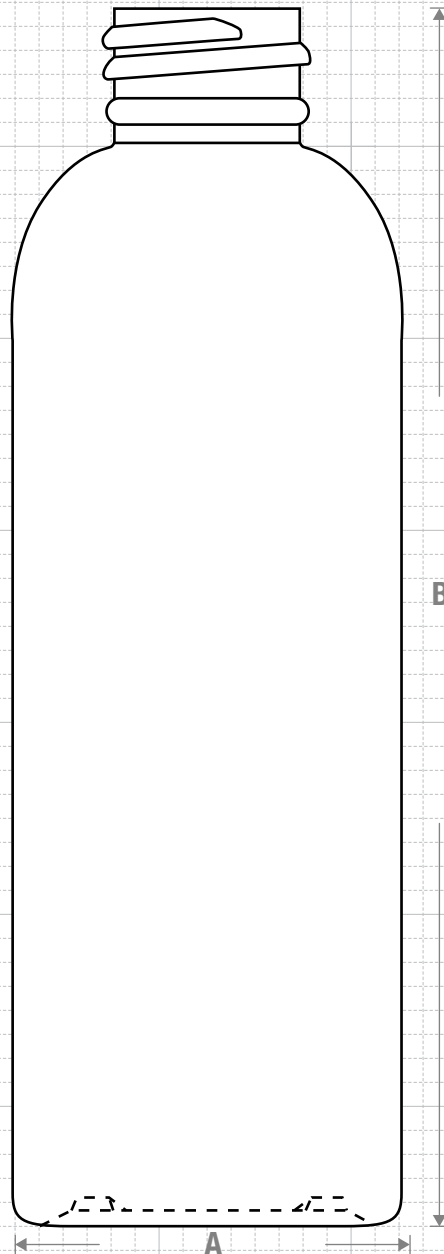
Box Dimensions:
24 ⁷/₁₆ x 18 ¹/₂ x 23

Stock Material:

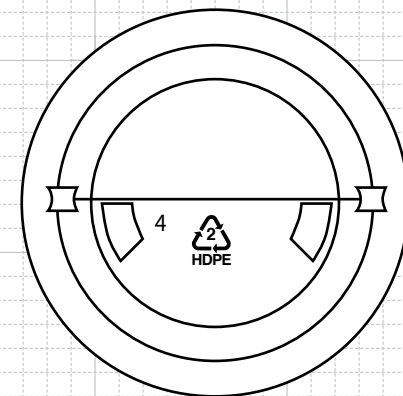
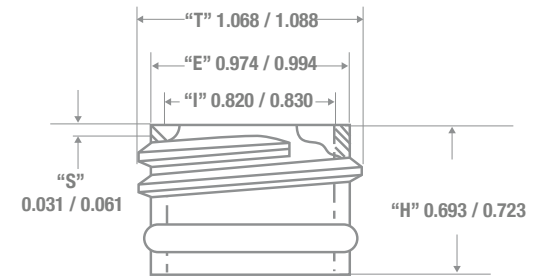


CLASSIC CONTAINERS INC
1700 S. Hellman Ave.
Ontario, CA 91761
Phone: 909-930-3610
e-mail: info@classiccontainers.com
www.classiccontainers.com

FRONT VIEW

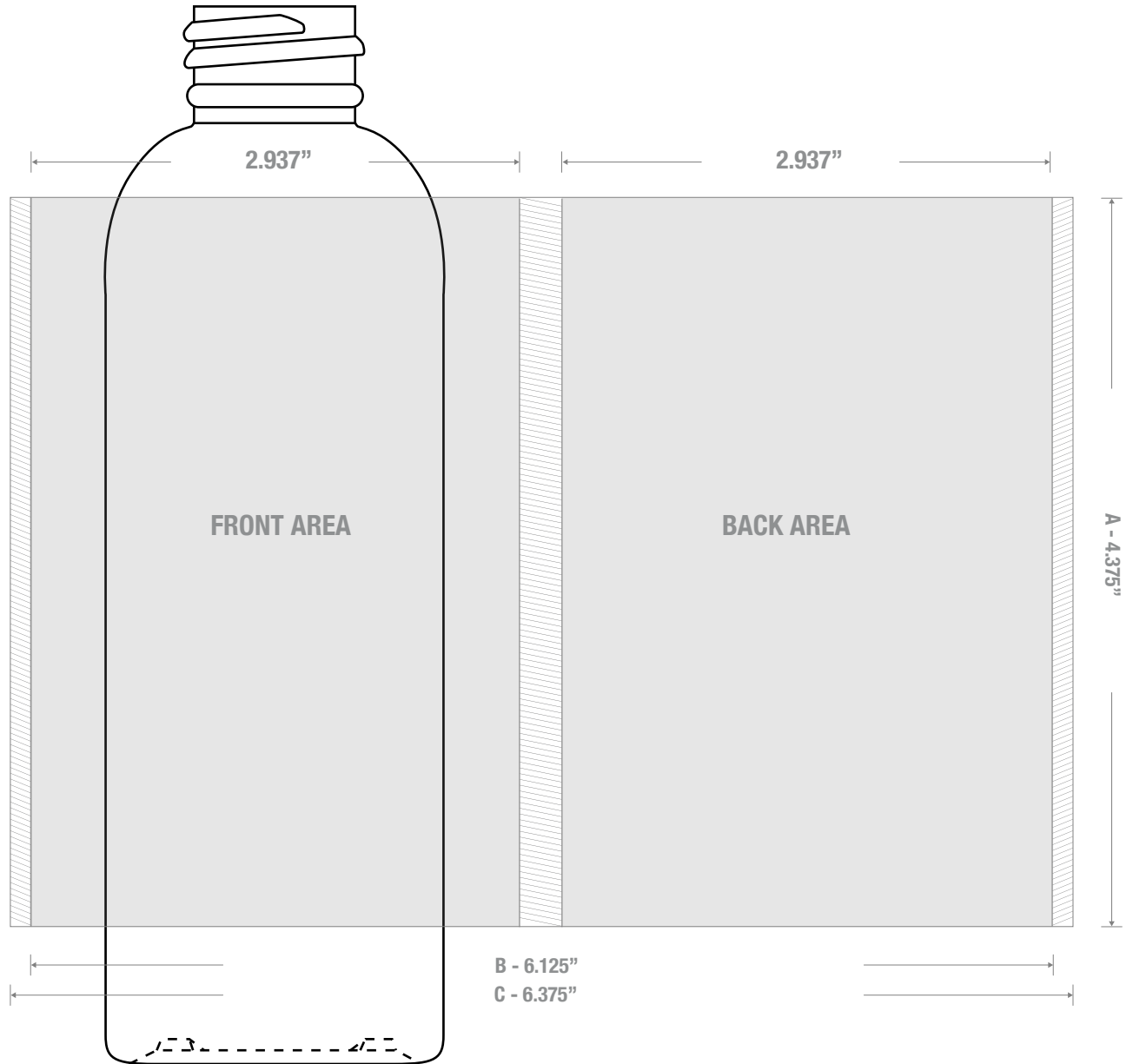


NECK & THREAD DETAIL



BOTTOM VIEW

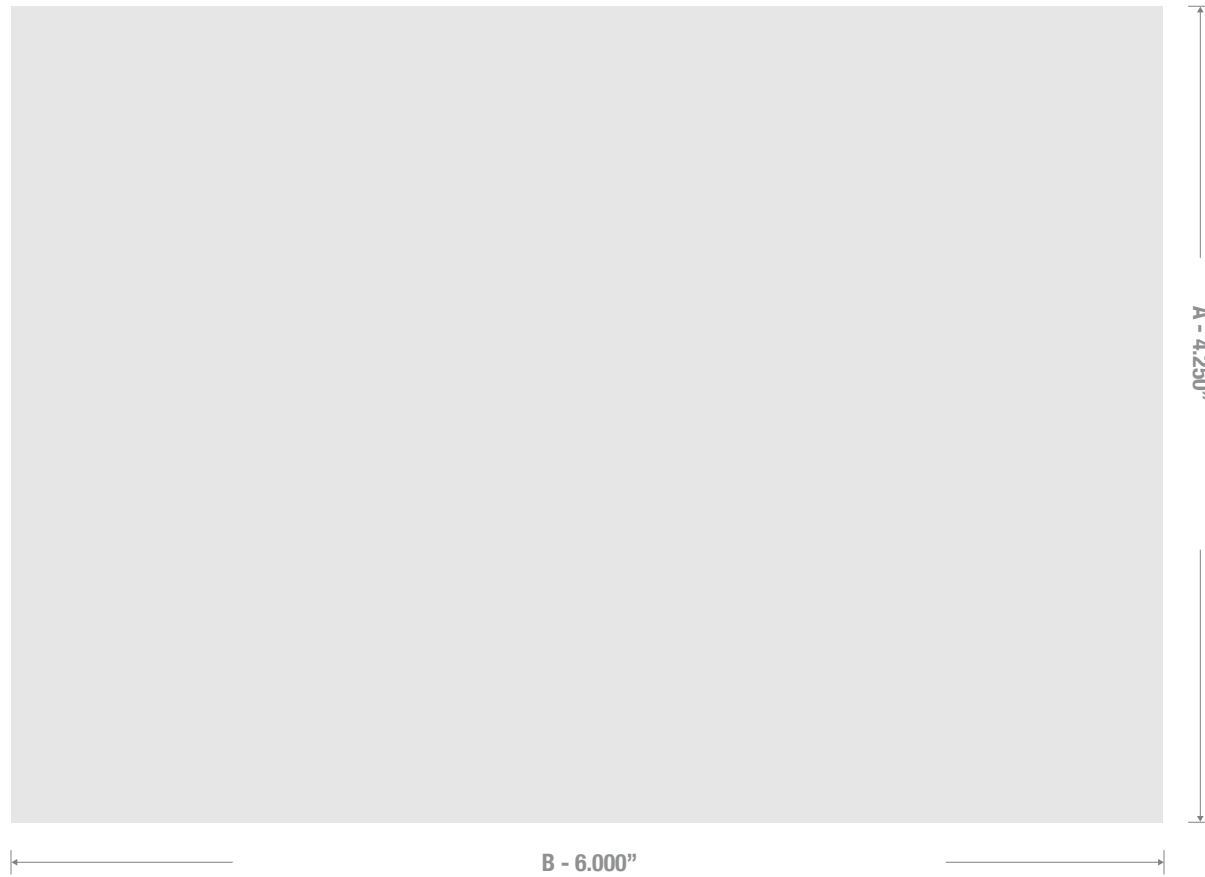
PRINTING SPECIFICATIONS: 8 oz Royalty Round 28/410



1700 S Hellman Ave, Ontario, California 91761
Phone: (909) 930-3610 | Fax: (909) 930-3640
e-mail: info@classiccontainers.com
www.classiccontainers.com

A - Total Height.
B - Max. Decorating Area.
C - Total bottle circumference.
▨ - Unprintable area.

LABELING SPECIFICATIONS: 8 oz Royalty Round 28/410



1700 S Hellman Ave, Ontario, California 91761
Phone: (909) 930-3610 | Fax: (909) 930-3640
e-mail: info@classiccontainers.com
www.classiccontainers.com

A - Total Height.
B - Total bottle circumference.