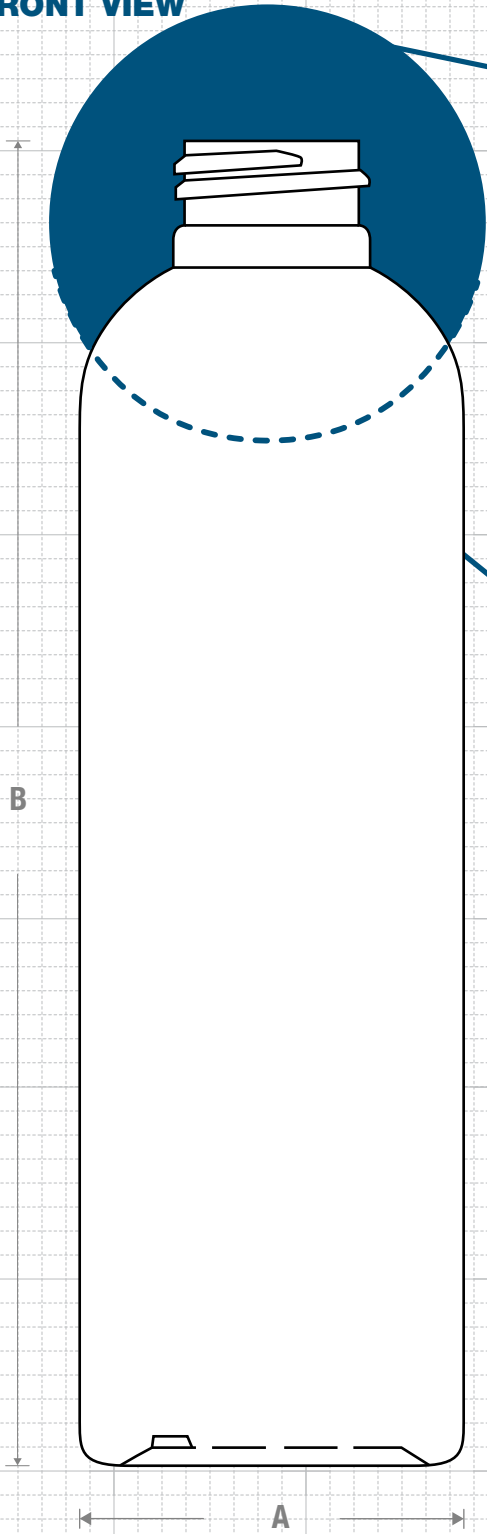
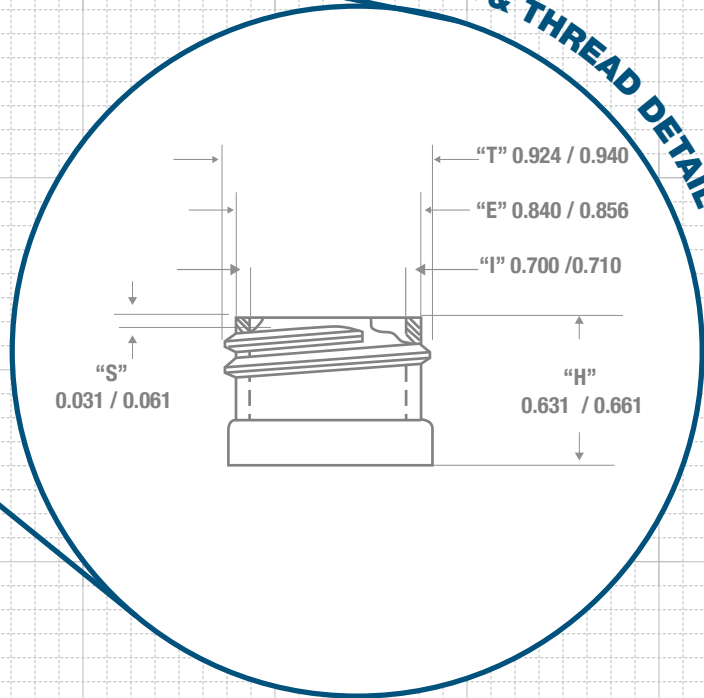


FRONT VIEW

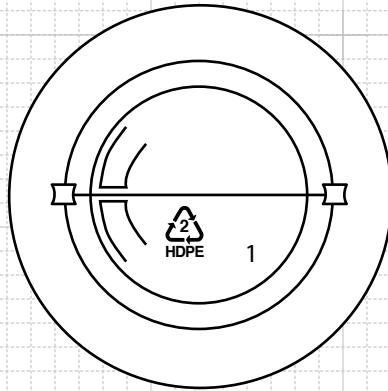


NECK & THREAD DETAIL



- HDPE
- LDPE
- PP
- OTHER

BOTTOM VIEW



FRICTION FIT



CLASSIC CONTAINERS INC
 1700 S. Hellman Ave.
 Ontario, CA 91761
 Phone: 909-930-3610
 e-mail: info@classiccontainers.com
 www.classiccontainers.com

| | | | |
|---|---|---|---|
| Drawing: 250 ml Imperial Round 24/410 | Gram Weight: 22 ± 2 grs | Max Print Area (Height): 5.000" | Cases Per Pallet: 16 |
| Stock Code: 025000050240000 | Neck Finish: 24/410 | Max Print Area (Width): 5.875" | Box Dimensions: 24 7/16 x 18 1/2 x 23 |
| Manufacturing Process: Extrusion Blow Molding | Base Width (A): 2.000 ± 0.05 | Case Pack: 387 | Stock Material: HDPE |
| Overflow Capacity: 274- 292 ml (9.3 - 9.9 oz) | Overall Height (B): 6.900 ± 0.050 | Case Weight (lb): 21.7 ± 1.7 | Rev #2 -06/2016 Drawing not exactly to size. |

