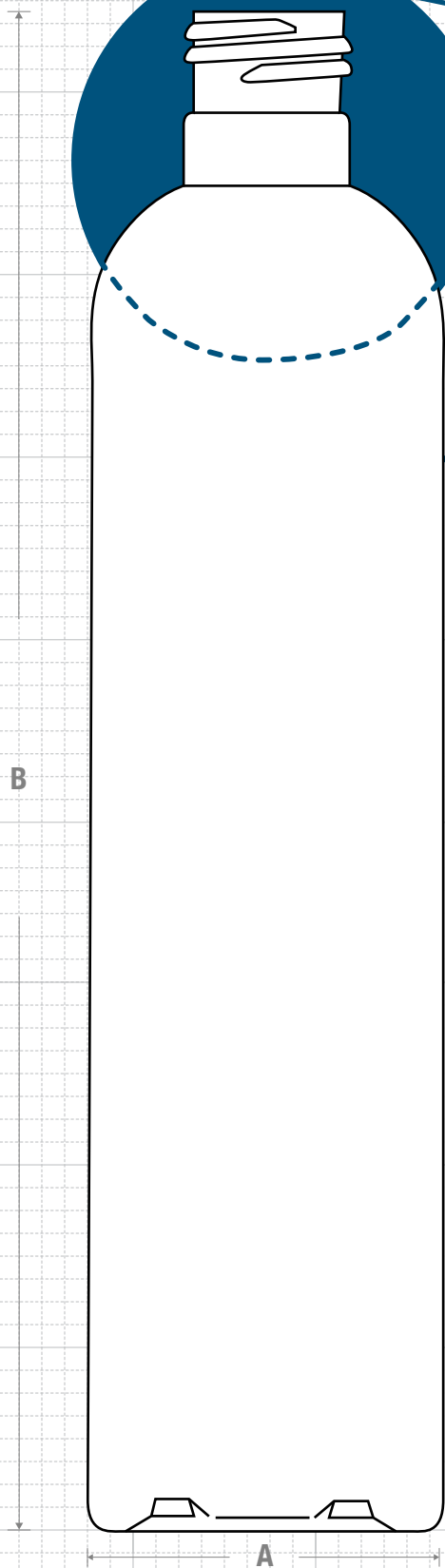
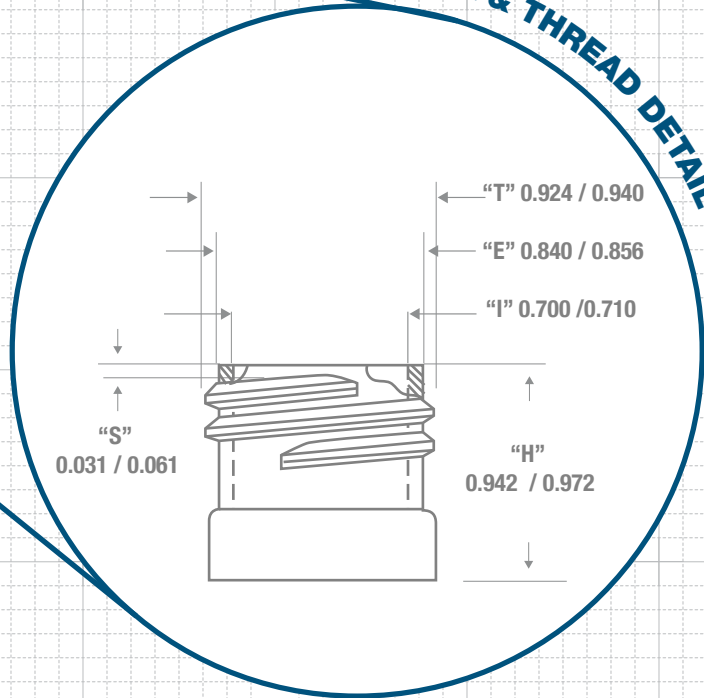


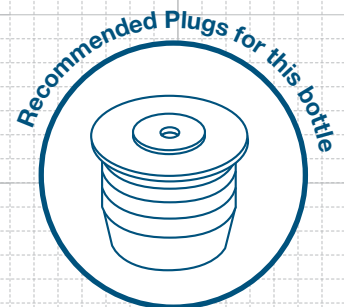
FRONT VIEW



NECK & THREAD DETAIL

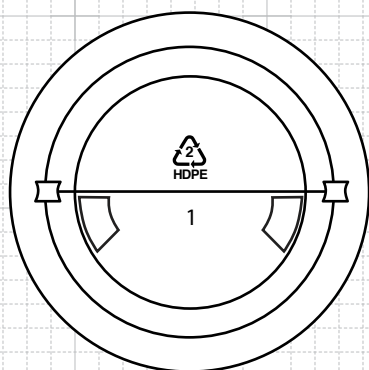


- HDPE
- LDPE
- PP
- OTHER



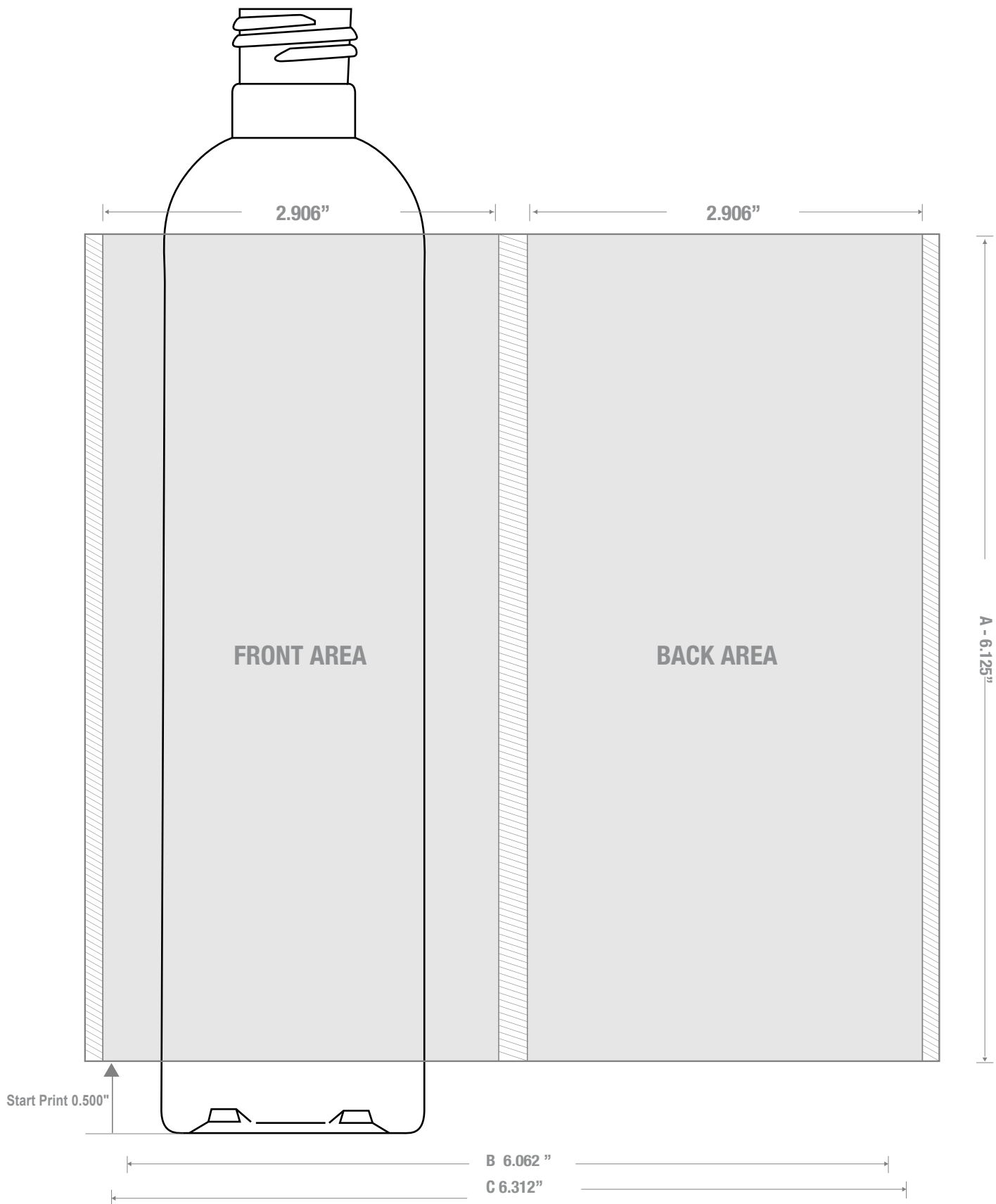
FRICITION FIT

BOTTOM VIEW

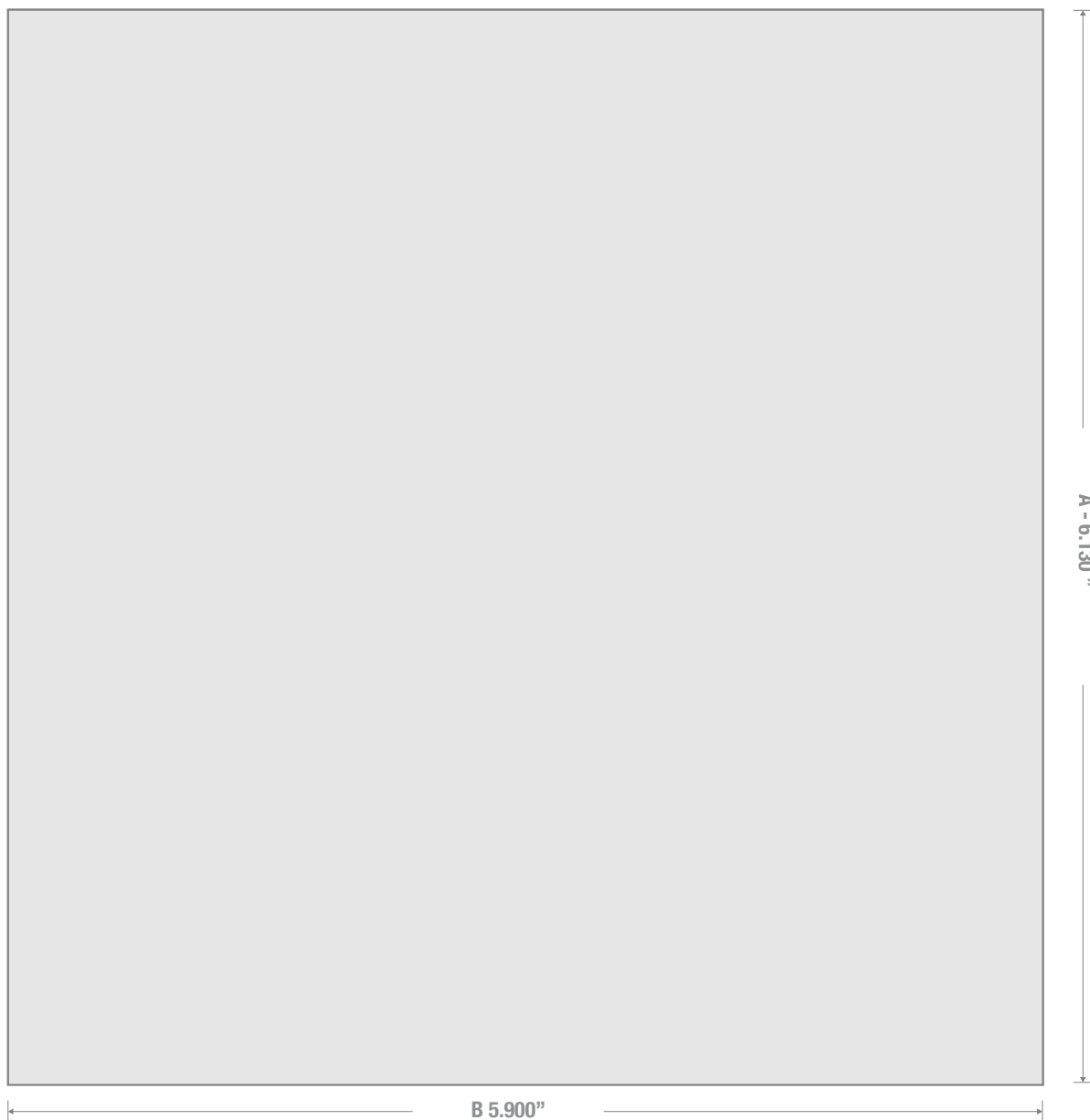


CLASSIC CONTAINERS INC
 1700 S. Hellman Ave.
 Ontario, CA 91761
 Phone: 909-930-3610
 e-mail: info@classiccontainers.com
 www.classiccontainers.com

Drawing: 10 oz Imperial Round 24/415	Gram Weight: 25. ± 2 grs	Max Print Area (Height): 6.125"	Cases Per Pallet: 16
Stock Code: 001000050250000	Neck Finish: 24/415	Max Print Area (Width): 6.062"	Box Dimensions: 24 7/16 x 18 1/2 x 23
Manufacturing Process: Extrusion Blow Molding	Base Width (A): 1.950 ± 0.050	Case Pack: 336	Stock Material: HDPE
Overflow Capacity: 325- 342 ml (11.0- 11.6 oz)	Overall Height (B): 8.325 ± 0.050	Case Weight (lb): 21.4 ± 1.5	Rev #3 08/2018 Drawing not exactly to size.



Labeling Area



1700 S Hellman Ave, Ontario, California 91761
Phone: (909) 930-3610 | Fax: (909) 930-3640
e-mail: info@classiccontainers.com
www.classiccontainers.com

A - Total Height.
B - Max. Decorating Area.