



Drawing:
2 oz Imperial Round Tall
24/410

Stock Code:
000200400240000

Manufacturing Process:
Extrusion Blow Molding

Overflow Capacity:
60.5- 69.3 ml (2.05 - 2.35 oz)

Gram Weight:
9.0 ± 1

Neck Finish:
24/410

Base Width (A):
1.170 ± 0.050

Overall Height (B):
4.500± 0.050

Max Print Area (Height):
3.187

Max Print Area (Width):
3.437"

Case Pack: 1068

Case Weight (lb): 23.3 ± 2.4

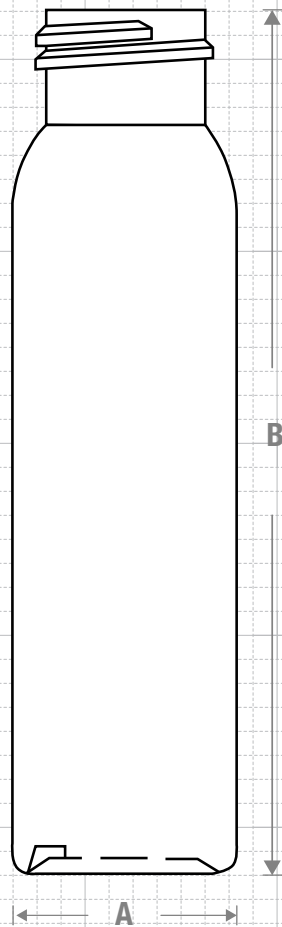
Cases Per Pallet: 25

Box Dimensions:
23 5/8x15 9/16 x17

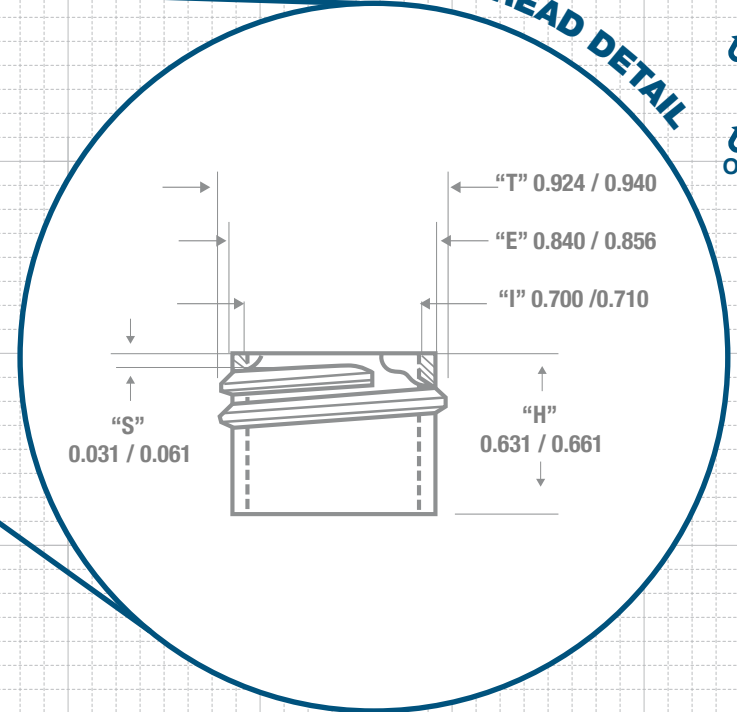
Stock Material:



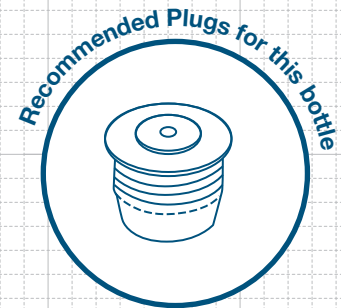
FRONT VIEW



NECK & THREAD DETAIL



BOTTOM VIEW

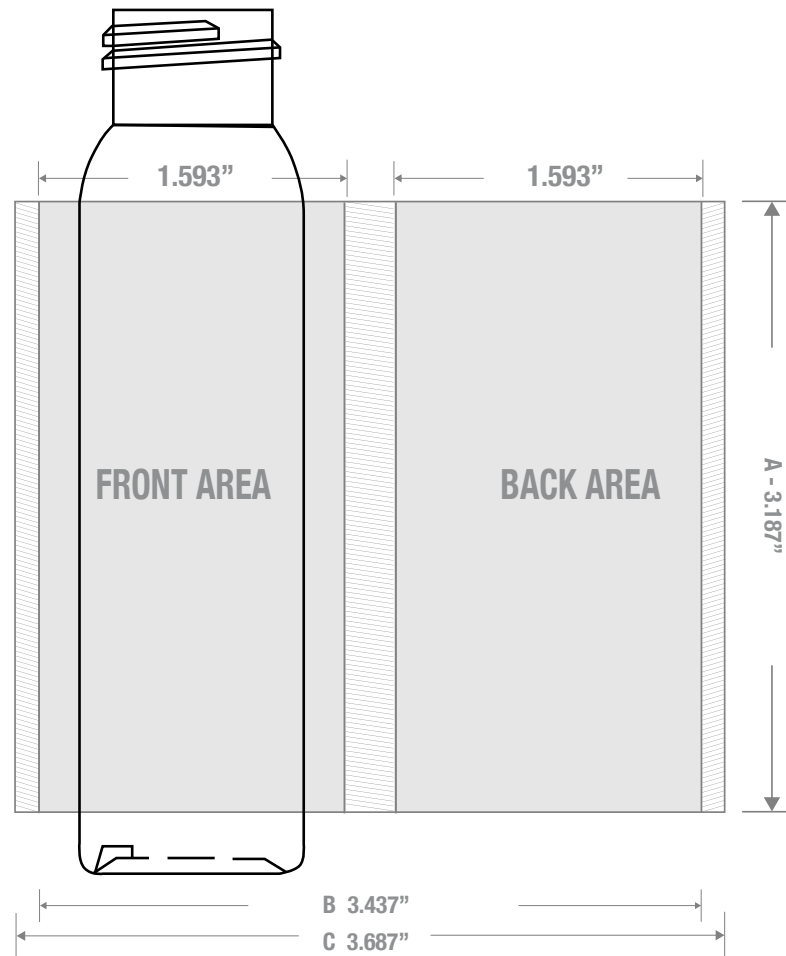


FRICTION FIT



CLASSIC CONTAINERS INC
1700 S. Hellman Ave.
Ontario, CA 91761
Phone: 909-930-3610
e-mail: info@classiccontainers.com
www.classiccontainers.com

PRINTING SPECIFICATIONS: 2 oz IMPERIAL ROUND TALL 24/410



1700 S Hellman Ave, Ontario, California 91761
Phone: (909) 930-3610 | Fax: (909) 930-3640
e-mail: info@classiccontainers.com
www.classiccontainers.com

A - Total Height.
B - Max. Decorating Area.
C - Total bottle circumference.
■ - Unprintable area.