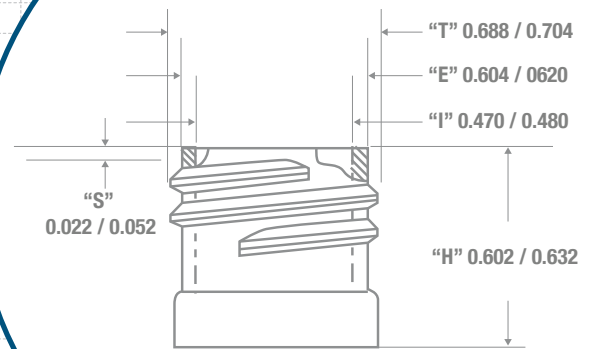
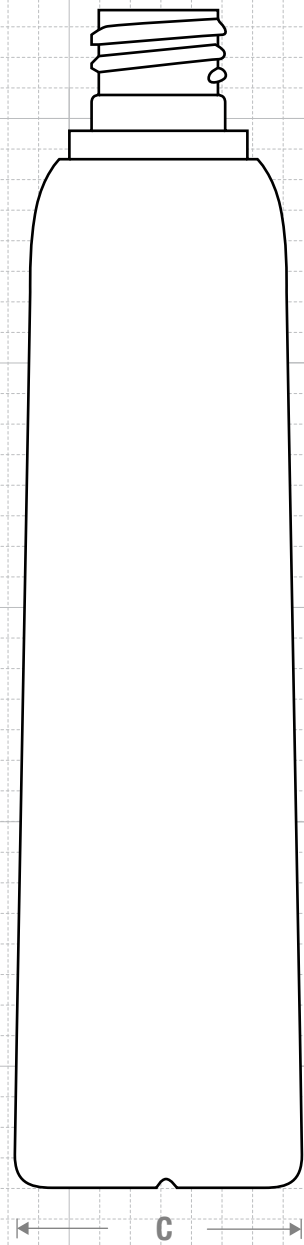
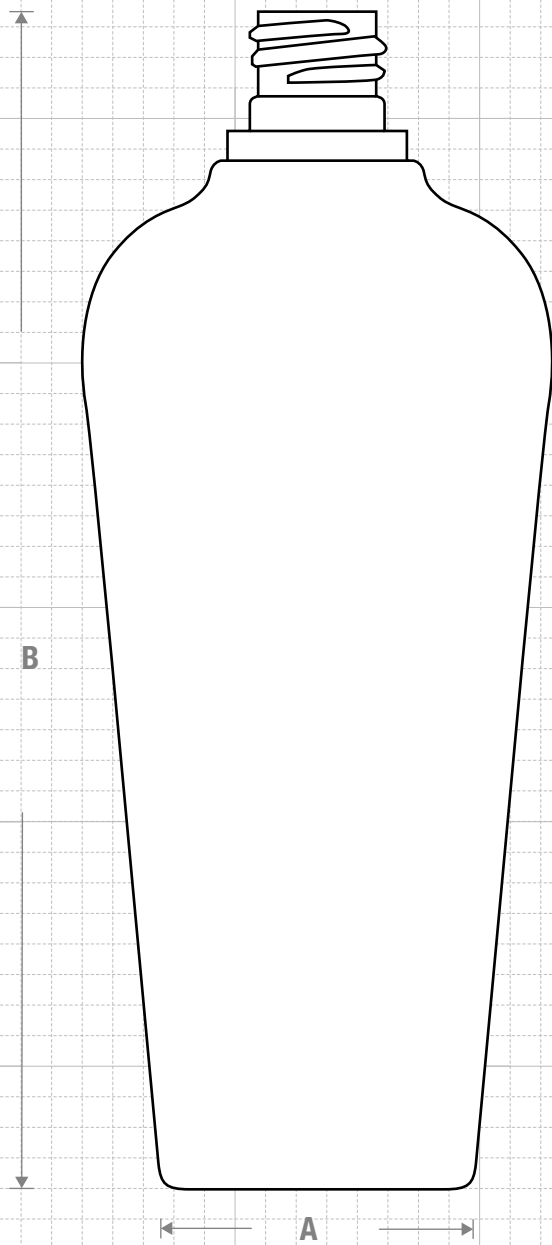


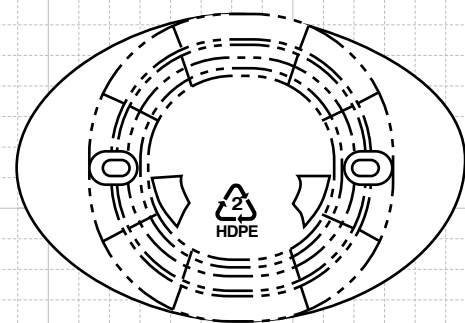
**NECK & THREAD DETAIL**



**FRONT VIEW**



**SIDE VIEW**



**BOTTOM VIEW**

- HDPE
- LDPE
- PP
- OTHER



**CLASSIC CONTAINERS INC**  
 1700 S. Hellman Ave.  
 Ontario, CA 91761  
 Phone: 909-930-3610  
 e-mail: info@classiccontainers.com  
 www.classiccontainers.com

Drawing: <b>6 oz Vail Oval 18/415</b>	Gram Weight: <b>20.0 ± 2</b>	Max Print Area (Height): <b>4.000</b>	Cases Per Pallet: <b>16</b>
Stock Code: <b>000600100190000</b>	Neck Finish: <b>18/415</b>	Max Print Area (Width): Shoulder: <b>1.453"</b> Base: <b>0.875"</b>	Box Dimensions: <b>24 7/16 x 18 1/2 x 23</b>
Manufacturing Process: <b>Extrusion Blow Molding</b>	Base Width (A) Base Deep (C): <b>1.650± 0.050 1.535± 0.050</b>	Case Pack: <b>516</b>	Stock Material:
Overflow Capacity: <b>183 -195 ml (6.2 - 6.6 oz)</b>	Overall Height (B): <b>6.160 ± 0.050</b>	Case Weight (lb): <b>25.7 ± 2.3</b>	Rev #2 02/2017 Drawing not exactly to size.

