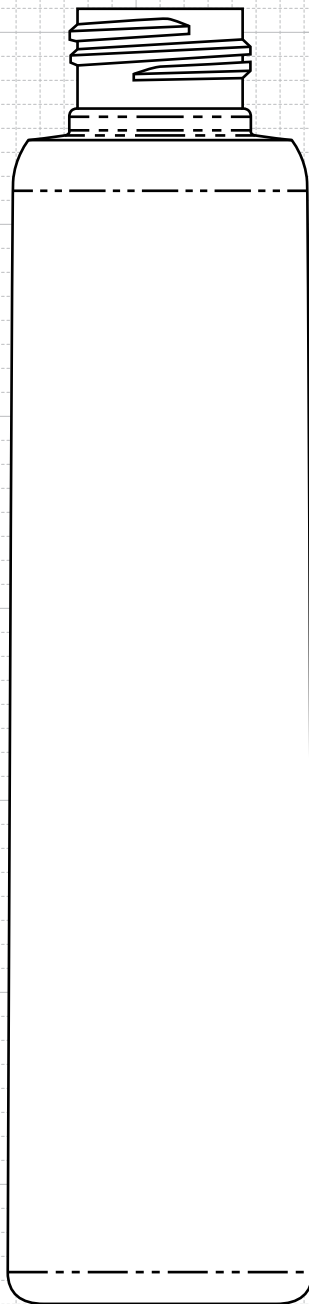




### FRONT VIEW



Drawing:  
5 oz Cylinder Slim Tall  
24/410

Stock Code:  
000500360241700

Manufacturing Process:  
Stretch Blow Molding

Overflow Capacity:  
159 - 171 ml (5.4 - 5.8 oz)

Gram Weight:  
20 ± 1

Neck Finish:  
24/410

Base Width (A):  
1.500 ± 0.050

Overall Height (B):  
6.741 ± 0.050

Max Print Area (Height):  
5.250"

Max Print Area (Width):  
4.487"

Case Pack: 396

Case Weight (lb): 19.6 ± 1.0

Cases Per Pallet: 25

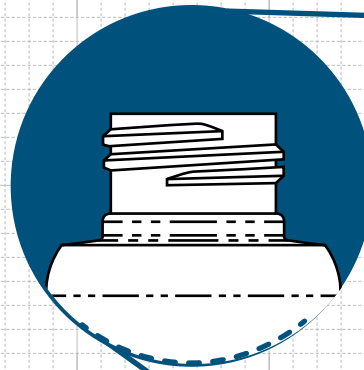
Box Dimensions:  
23 5/8 x 15 9/16 x 17

Stock Material:

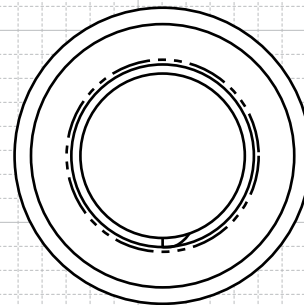
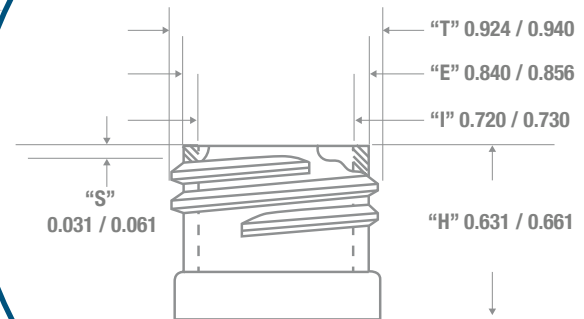


**CLASSIC CONTAINERS INC**  
1700 S. Hellman Ave.  
Ontario, CA 91761  
Phone: 909-930-3610  
e-mail: info@classiccontainers.com  
www.classiccontainers.com

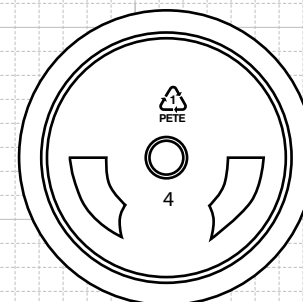
B



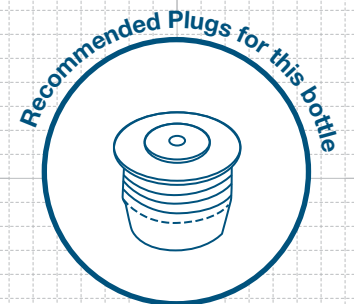
### NECK & THREAD DETAIL



TOP VIEW

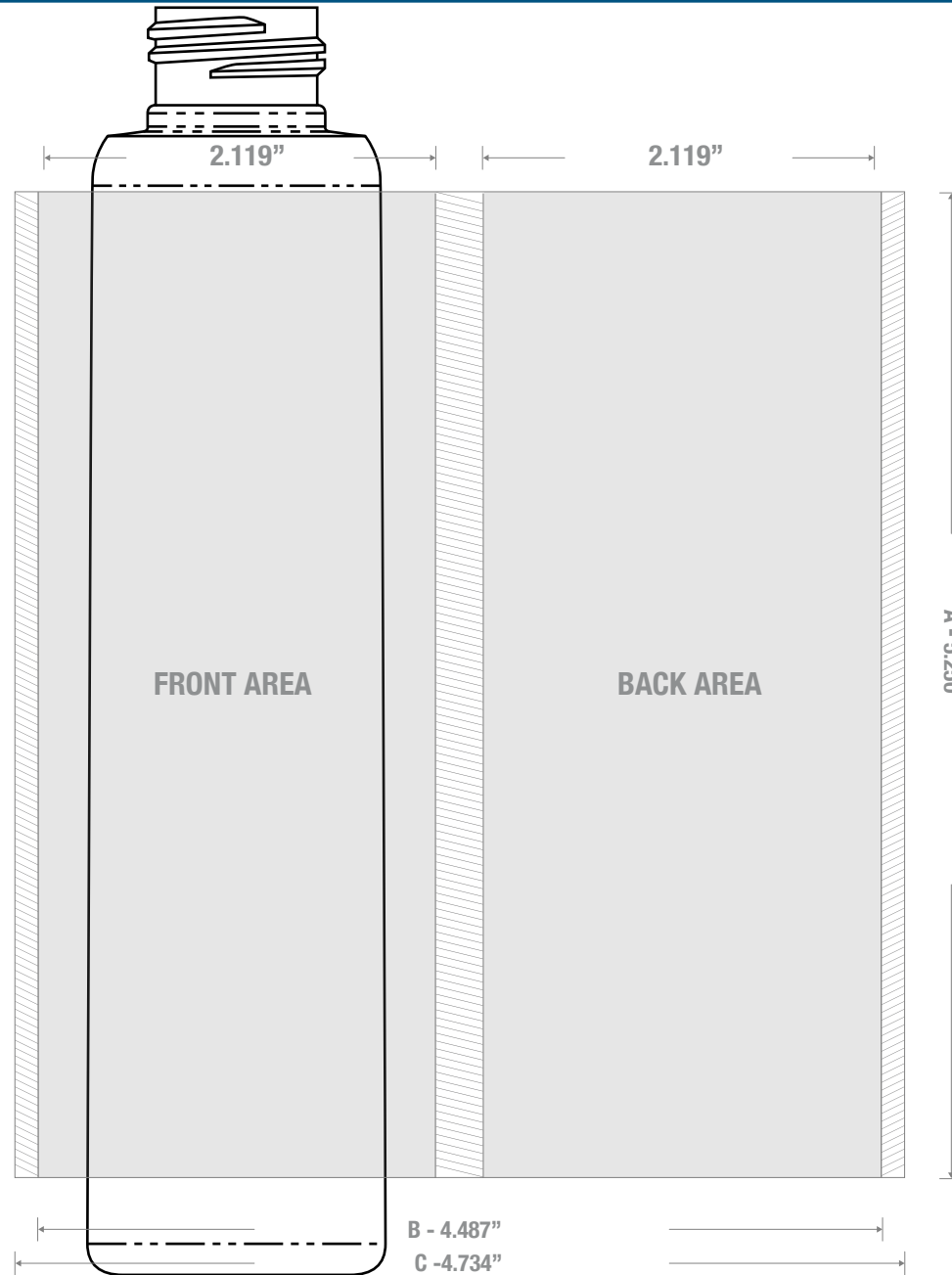


BOTTOM VIEW



FRICITION FIT

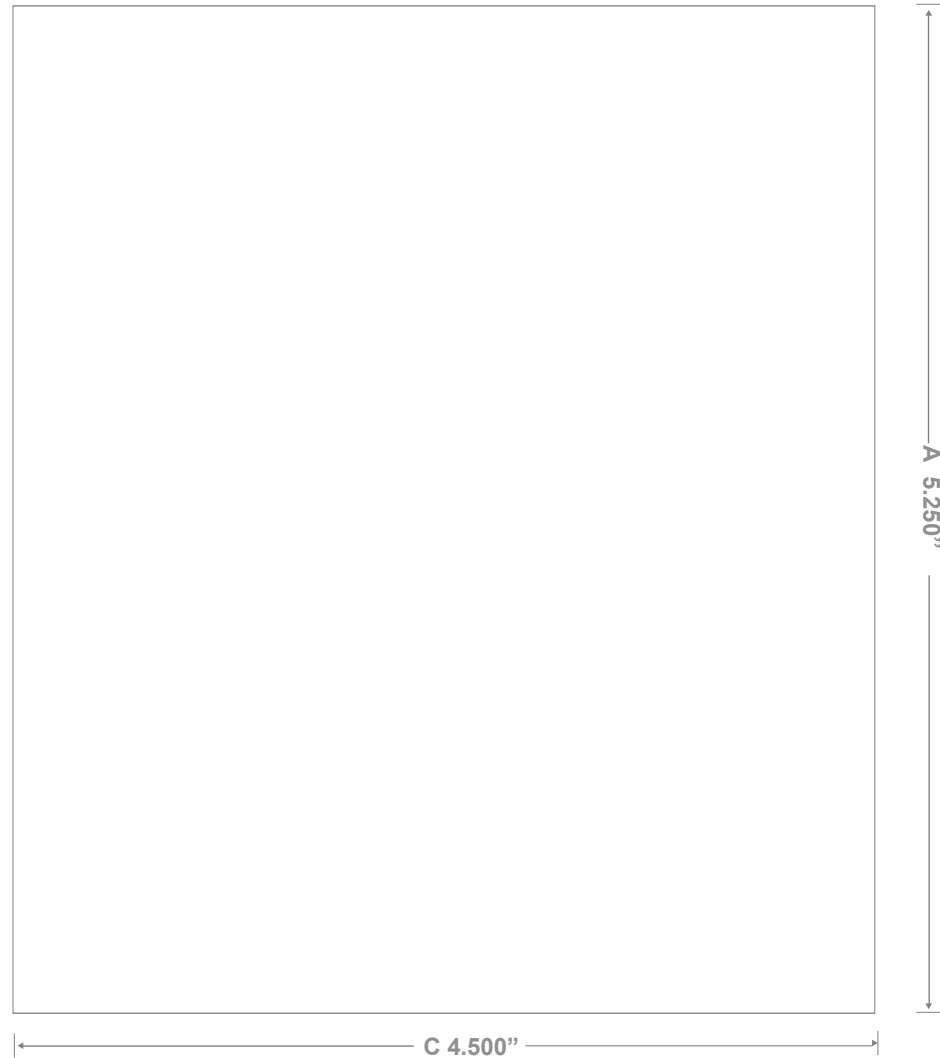
PRINTING SPECIFICATIONS: 5 oz Cylinder Slim Tall 24/410



1700 S Hellman Ave, Ontario, California 91761  
 Phone: (909) 930-3610 | Fax: (909) 930-3640  
 e-mail: [info@classiccontainers.com](mailto:info@classiccontainers.com)  
[www.classiccontainers.com](http://www.classiccontainers.com)

**A - Total Height.**  
**B - Max. Decorating Area.**  
**C - Total bottle circumference.**  
 [Hatched Box] - Unprintable area.

LABELING SPECIFICATIONS: 5 oz CYLINDER SLIM TALL 24/410 (WRAP LABEL)



10/17/2017



1700 S Hellman Ave, Ontario, California 91761  
Phone: (909) 930-3610 | Fax: (909) 930-3640  
e-mail: [info@classiccontainers.com](mailto:info@classiccontainers.com)  
[www.classiccontainers.com](http://www.classiccontainers.com)

**A - Total Height.**  
**B - Total bottle circumference.**