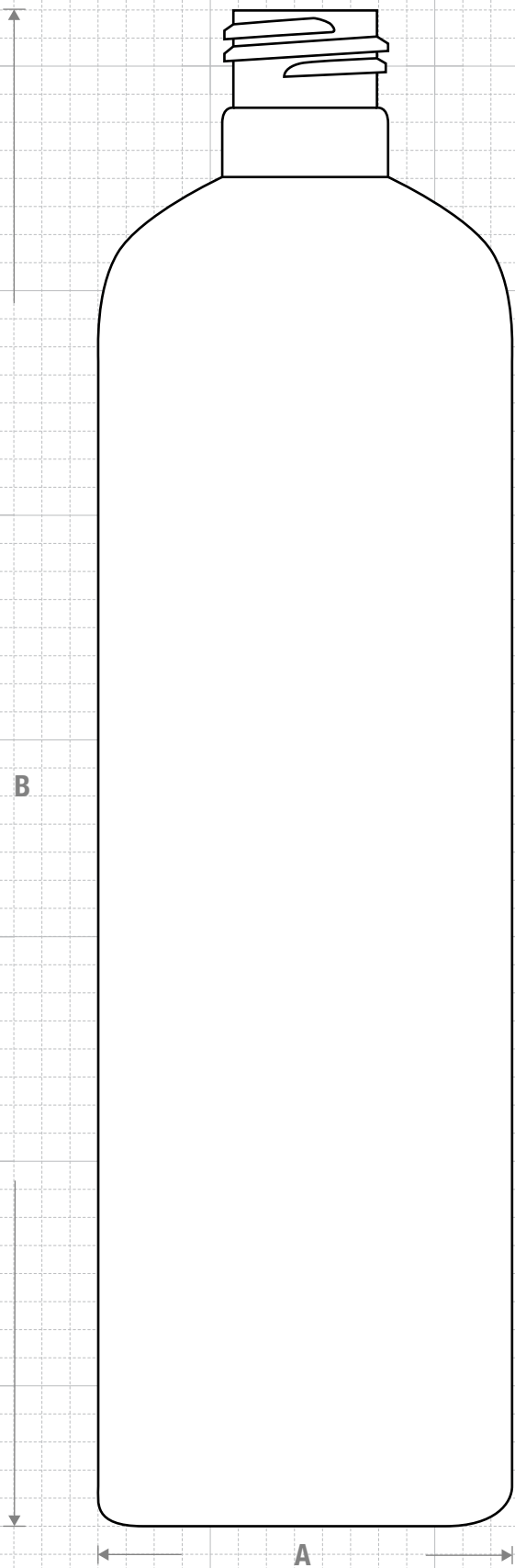
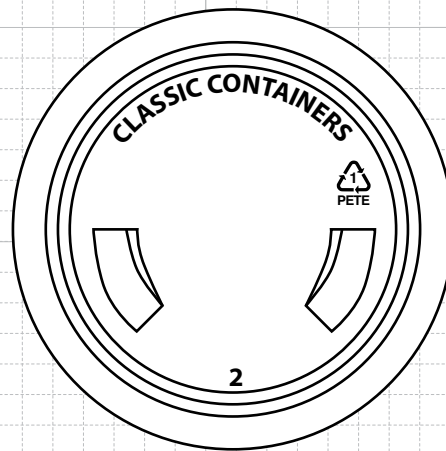
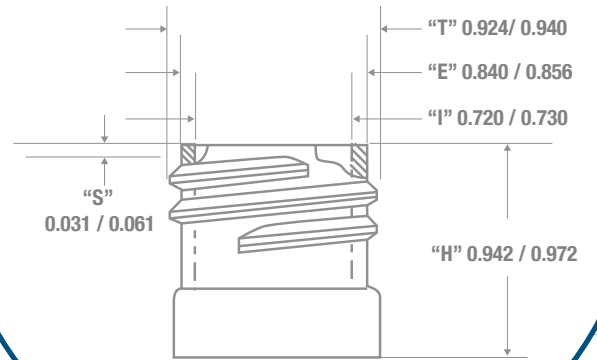


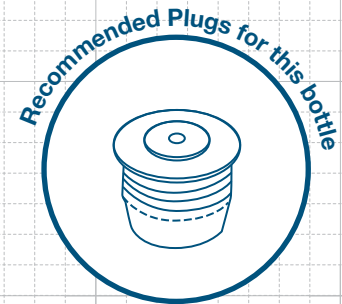
FRONT VIEW



NECK & THREAD DETAIL




BOTTOM VIEW



FRICITION FIT



CLASSIC CONTAINERS INC
 1700 S. Hellman Ave.
 Ontario, CA 91761
 Phone: 909-930-3610
 e-mail: info@classiccontainers.com
 www.classiccontainers.com

| | | | |
|---|---|---|---|
| Drawing: 16 oz Imperial Round 24/415 | Gram Weight: 36 ± 1 | Max Print Area (Height): 6.312" | Cases Per Pallet: 16 |
| Stock Code: 001600050251700 | Neck Finish: 24/415 | Max Print Area (Width): 7.063" | Box Dimensions: 24 7/16 x 18 1/2 x 23 |
| Manufacturing Process: Stretch Blow Molding | Base Width (A): 2.320± 0.050 | Case Pack: 220 | Stock Material:  |
| Overflow Capacity: 478 - 502 ml (16.2- 17 oz) | Overall Height (B): 8.663 ± 0.050 | Case Weight (lb): 20.4 ± 0.5 | Rev #2 03/2016 Drawing not exactly to size. |