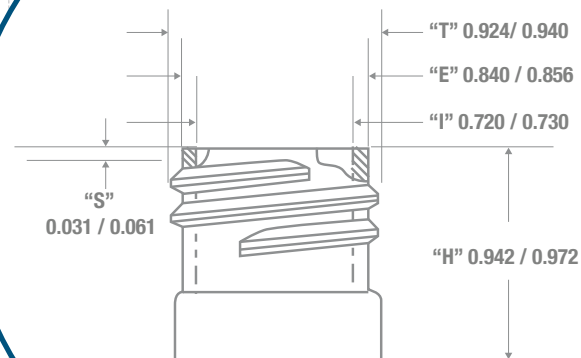
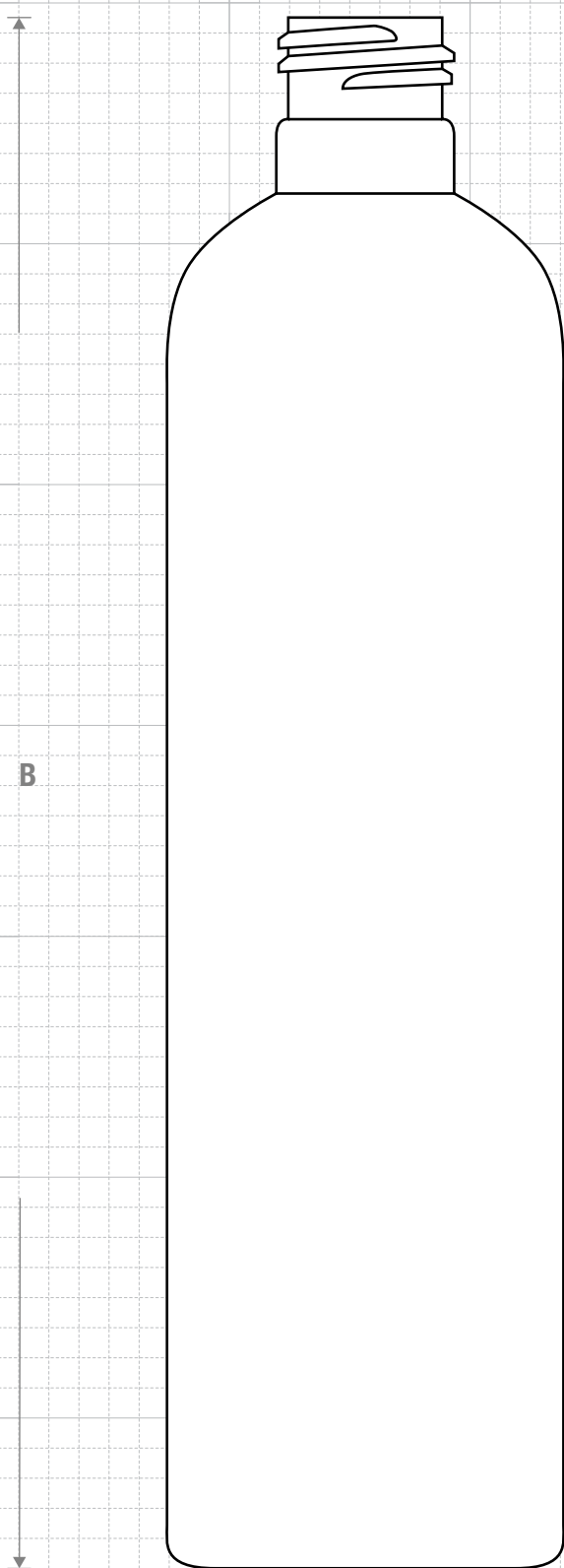


**NECK & THREAD DETAIL**



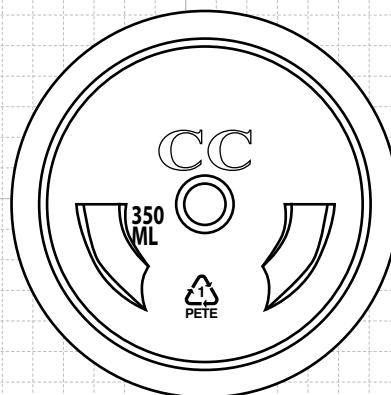
**FRONT VIEW**



Recommended Plugs for this bottle



**FRICTION FIT**



**BOTTOM VIEW**



**CLASSIC CONTAINERS INC**  
 1700 S. Hellman Ave.  
 Ontario, CA 91761  
 Phone: 909-930-3610  
 e-mail: info@classiccontainers.com  
 www.classiccontainers.com

|   |   |   |  |
|---|---|---|--|
| Drawing:<br><b>12 oz Imperial Round 24/415</b>            | Gram Weight:<br><b>31 ± 1</b>               | Max Print Area (Height):<br><b>5.900"</b> | Cases Per Pallet: <b>16</b>  |
| Stock Code:<br><b>001200050251700</b>                     | Neck Finish:<br><b>24/415</b>               | Max Print Area (Width):<br><b>6.286"</b>  | Box Dimensions:<br><b>24 7/16 x 18 1/2 x 23</b>                                |
| Manufacturing Process:<br><b>Stretch Blow Molding</b>     | Base Width (A):<br><b>2.065 ± 0.050</b>     | Case Pack: <b>286</b>                     | Stock Material:  |
| Overflow Capacity:<br><b>360 - 378 ml (12.2- 12.8 oz)</b> | Overall Height (B):<br><b>8.270 ± 0.050</b> | Case Weight (lb): <b>22.5 ± 0.60</b>      | Rev #2 03/2016 <span style="float: right;">Drawing not exactly to size.</span> |