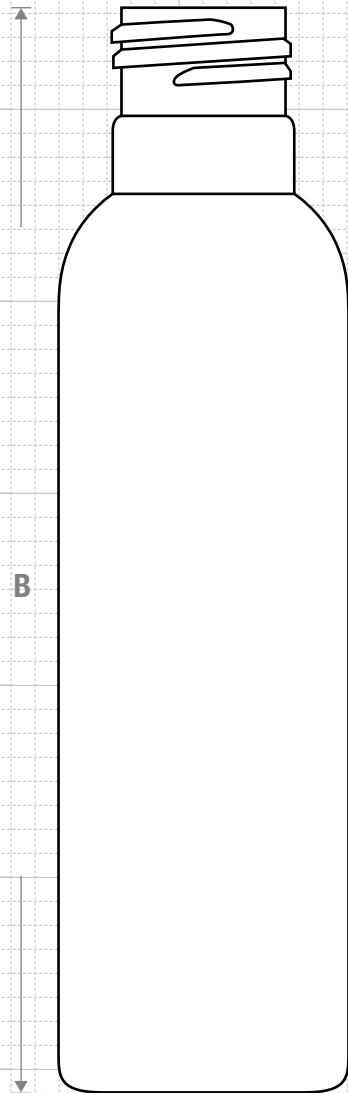




FRONT VIEW



Drawing:
4 oz Imperial Round 24/415

Stock Code:
000400050251700

Manufacturing Process:
Stretch Blow Molding

Overflow Capacity:
133 - 145 ml (4.5 - 4.9 oz)

Gram Weight:
15 ± 1

Neck Finish:
24/415

Base Width (A):
1.537 ± 0.050

Overall Height (B):
5.699 ± 0.050

Max Print Area (Height):
3.750"

Max Print Area (Width):
4.500"

Case Pack: 480

Case Weight (lb): 18.0± 1.0

Cases Per Pallet: 25

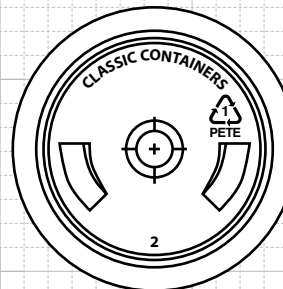
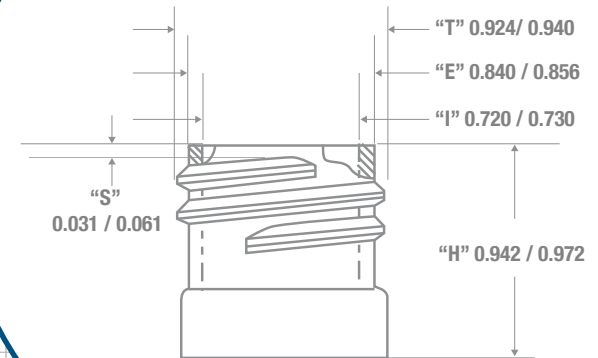
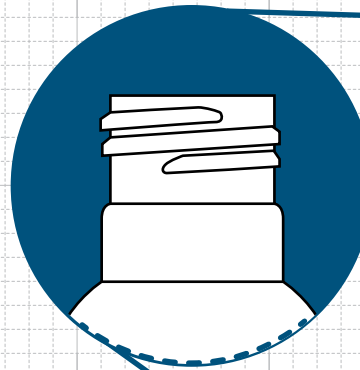
Box Dimensions:
23 5/8 x 15 9/16 x 17

Stock Material:



CLASSIC CONTAINERS INC
1700 S. Hellman Ave.
Ontario, CA 91761
Phone: 909-930-3610
e-mail: info@classiccontainers.com
www.classiccontainers.com

NECK & THREAD DETAIL



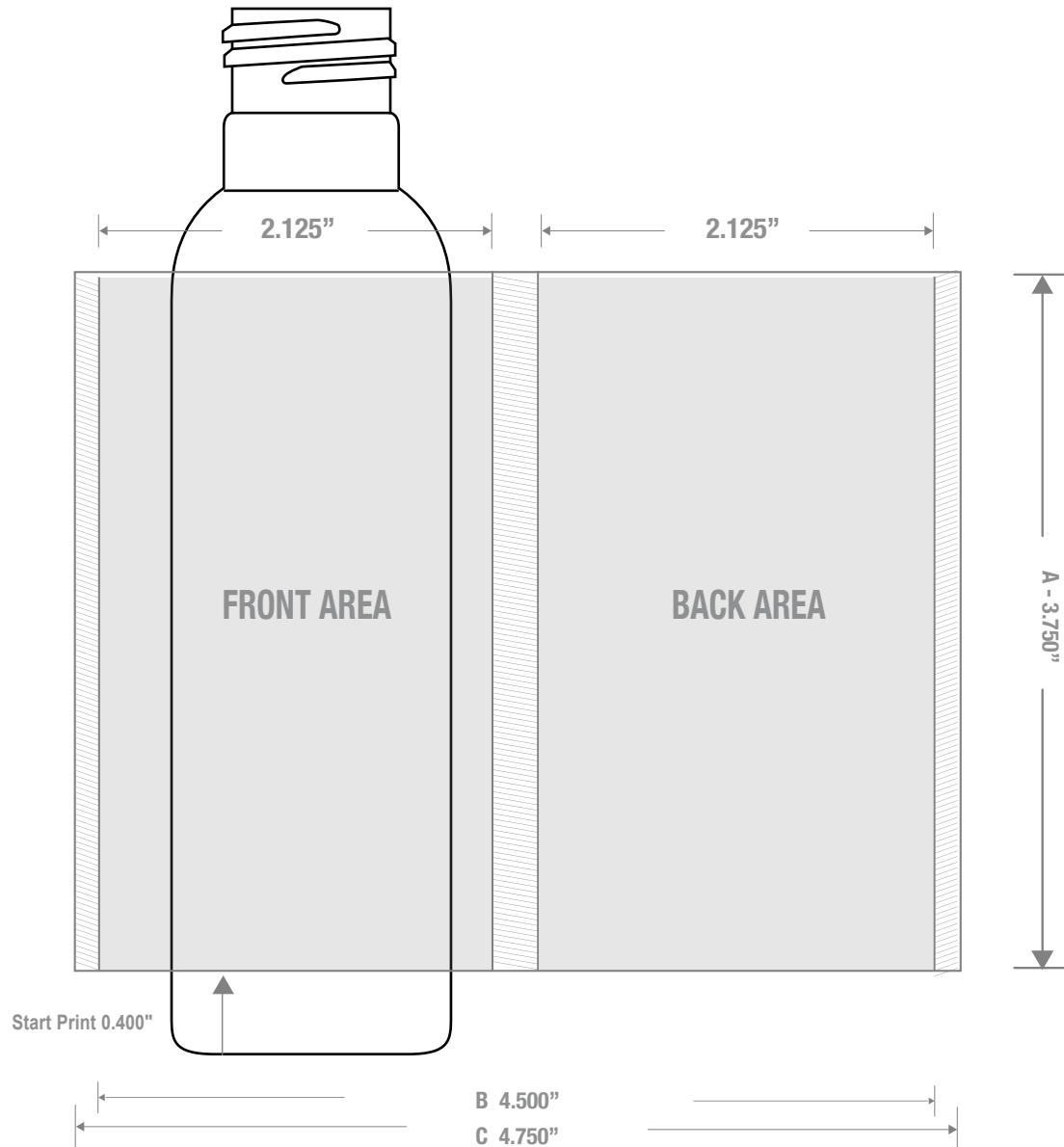
BOTTOM VIEW

Recommended Plugs for this bottle



FRICION FIT

PRINTING SPECIFICATIONS: 4 oz IMPERIAL ROUND 24/415 PETE



1700 S Hellman Ave, Ontario, California 91761
 Phone: (909) 930-3610 | Fax: (909) 930-3640
 e-mail: info@classiccontainers.com
www.classiccontainers.com

A - Total Height.
B - Max. Decorating Area.
C - Total bottle circumference.
 [Hatched Box] - Unprintable area.

LABELING SPECIFICATIONS: 4 oz IMPERIAL ROUND 20/4105 PETE



1700 S Hellman Ave, Ontario, California 91761
Phone: (909) 930-3610 | Fax: (909) 930-3640
e-mail: info@classiccontainers.com
www.classiccontainers.com

A - Total Height.
B - Max. Decorating Area.
C - Total bottle circumference.
☐ - Unprintable area.