



Drawing:
2 oz Dome Sharp 24/410
F-217

Manufacturing Process:
Injection Molding

Stock Code:
24S00500000021

Gram Weight :
Dome Cap Sharp : **5.7 ± 0.5**

Dome Cap Sharp 24/410 F-217 Liner:
8.4 ± 0.5

Case Weight (lb) :
Dome Cap Sharp :
23.3 ± 1.9
Dome Cap Sharp 20/410 F-217 Liner:
33.4 ± 1.9

Stock Color :
White.

Case Pack:
1700

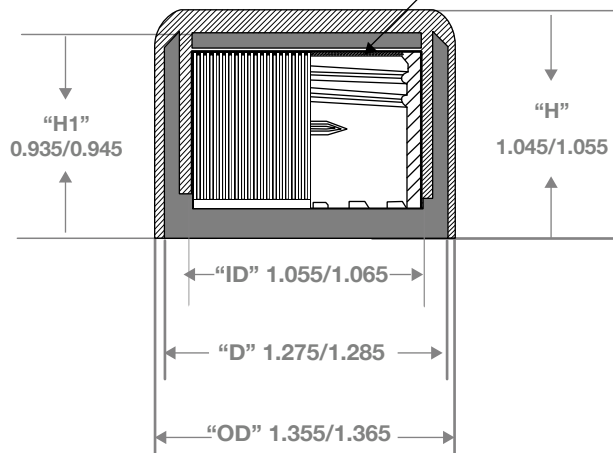
Box Dimensions:
24X12X12 1/2

Stock Material:



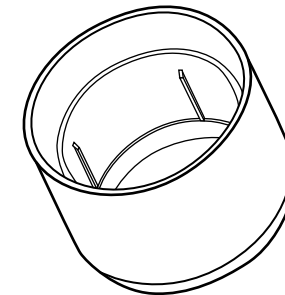
CLASSIC CONTAINERS INC
1700 S. Hellman Ave.
Ontario, CA 91761
Phone: 909-930-3610
e-mail: info@classiccontainers.com
www.classiccontainers.com

F-217 Liner (.020)
Other materials available



2 oz Dome Sharp 24/410

Stock Code: 24S200500000000



Recommended Neck Finish
Land Area Must Be Smooth

