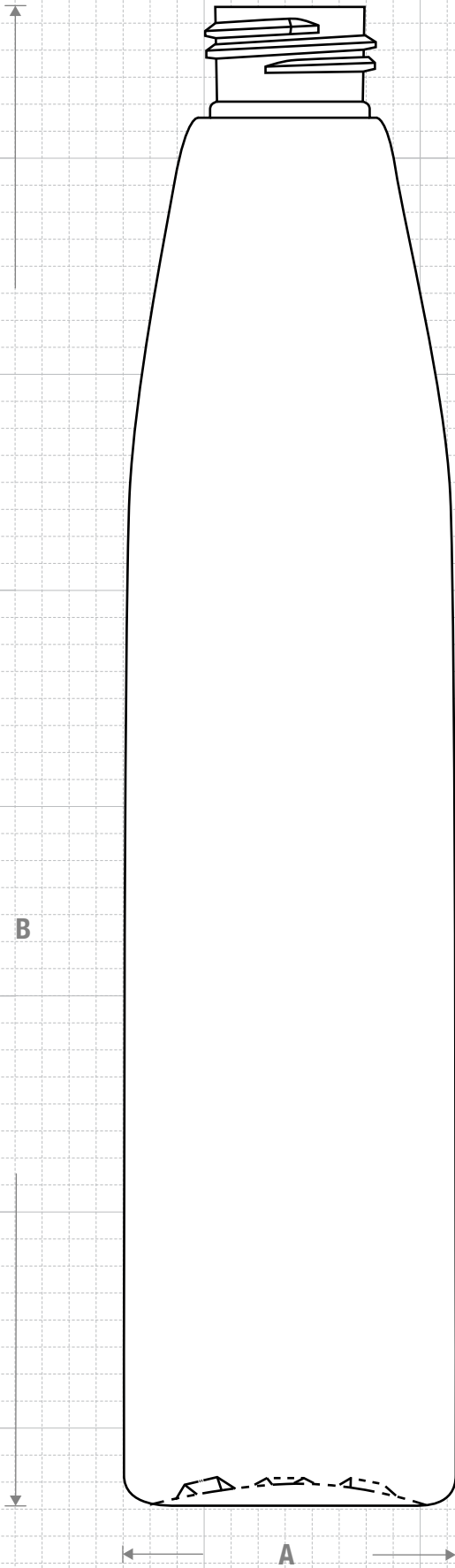
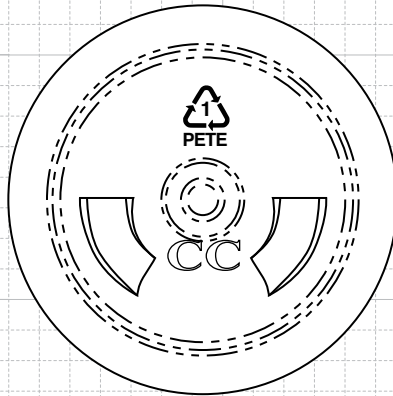
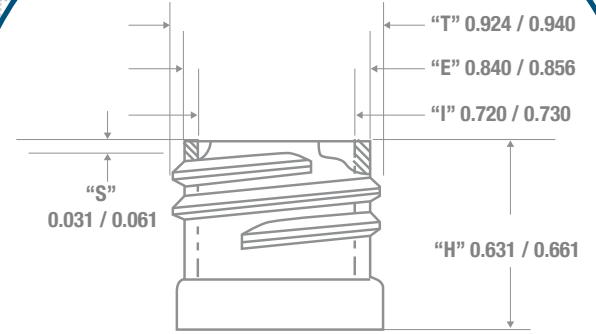


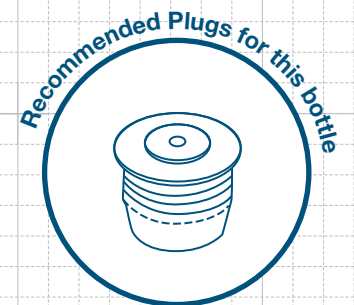
**FRONT VIEW**



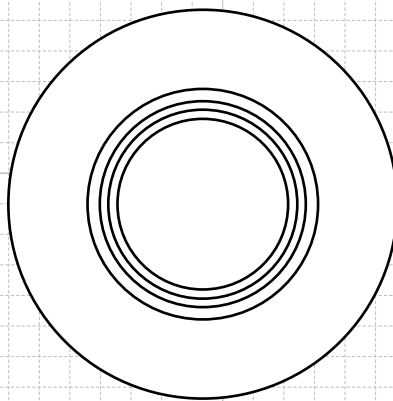
**NECK & THREAD DETAIL**



**BOTTOM VIEW**



**FRICTION FIT**



**TOP VIEW**



**CLASSIC CONTAINERS INC**  
 1700 S. Hellman Ave.  
 Ontario, CA 91761  
 Phone: 909-930-3610  
 e-mail: info@classiccontainers.com  
 www.classiccontainers.com

Drawing:  
**350 ml Evolution Slim 24/410**

Gram Weight:  
**31 ± 1**

Max Print Area (Height):  
**5.250"**

Cases Per Pallet: **16**

Stock Code:  
**0350000470240000**

Neck Finish:  
**24/410**

Max Print Area (Width):  
**6.187"**

Box Dimensions:  
**24 7/16 x 18 1/2 x 23**

Manufacturing Process:  
**Stretch Blow Molding**

Base Width (A):  
**2.025± 0.050**

Case Pack: **278**

Stock Material:



Overflow Capacity:  
**354 - 372 ml (12.0 - 12.6 oz)**

Overall Height (B):  
**8.796 ± 0.050**

Case Weight (lb): **21.9 ± 0.6**

Rev #2 03/2016

Drawing not exactly to size.