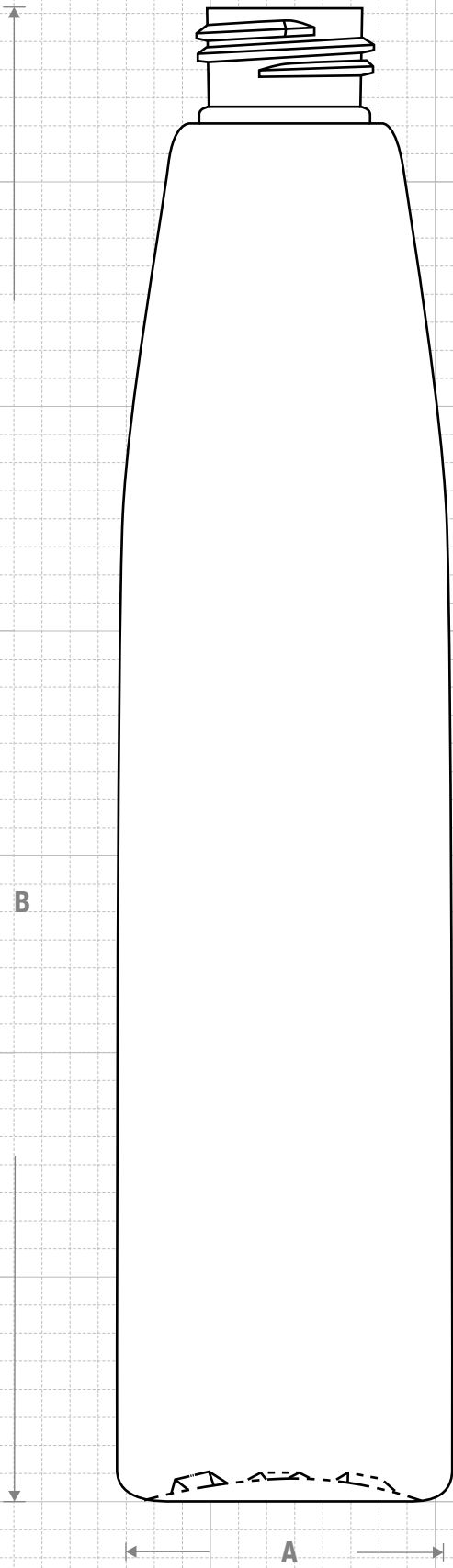
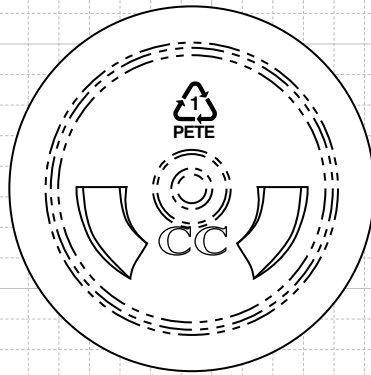
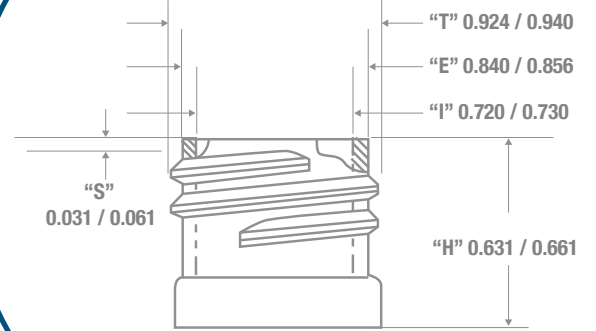


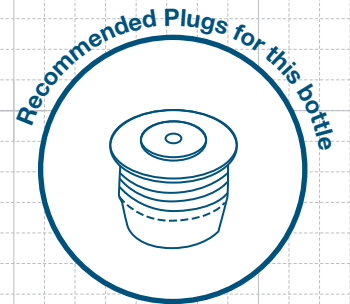
FRONT VIEW



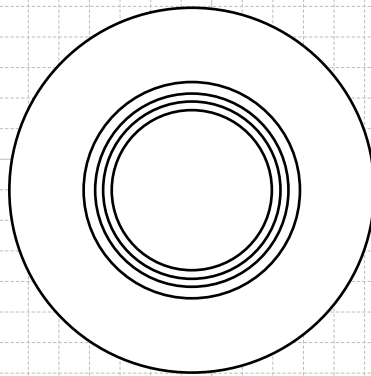
NECK & THREAD DETAIL



BOTTOM VIEW



FRICTION FIT



TOP VIEW



CLASSIC CONTAINERS INC
 1700 S. Hellman Ave.
 Ontario, CA 91761
 Phone: 909-930-3610
 e-mail: info@classiccontainers.com
 www.classiccontainers.com

Drawing:
300 ml Evolution Slim 24/410

Gram Weight:
25 ± 1

Max Print Area (Height):
4.890"

Cases Per Pallet: **16**

Stock Code:
030000470240000

Neck Finish:
24/410

Max Print Area (Width):
5.738"

Box Dimensions:
24 7/16 x 18 1/2 x 23

Manufacturing Process:
Stretch Blow Molding

Base Width (A):
1.900 ± 0.050

Case Pack: **336**

Stock Material:



Overflow Capacity:
304 - 322 ml (10.3 - 10.9 oz)

Overall Height (B):
8.496 ± 0.050

Case Weight (lb): **21.4 ± 0.7**

Rev #2 03/2016

Drawing not exactly to size.