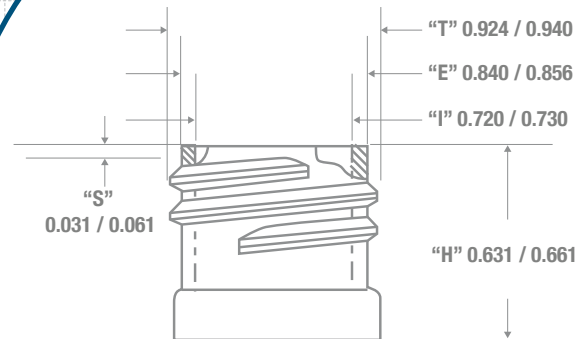
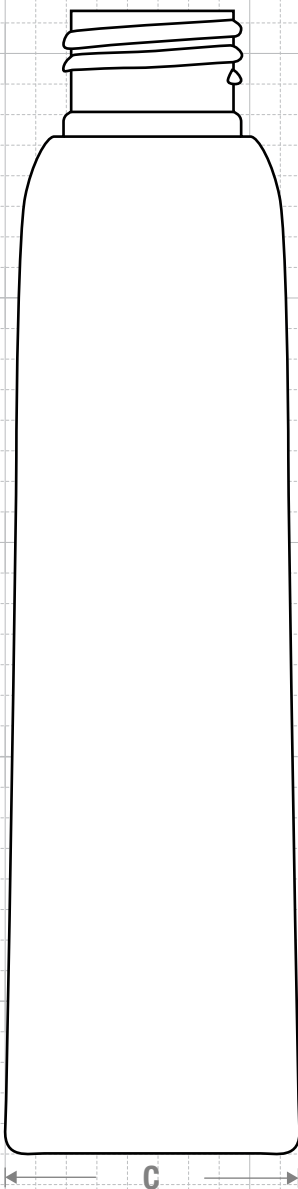
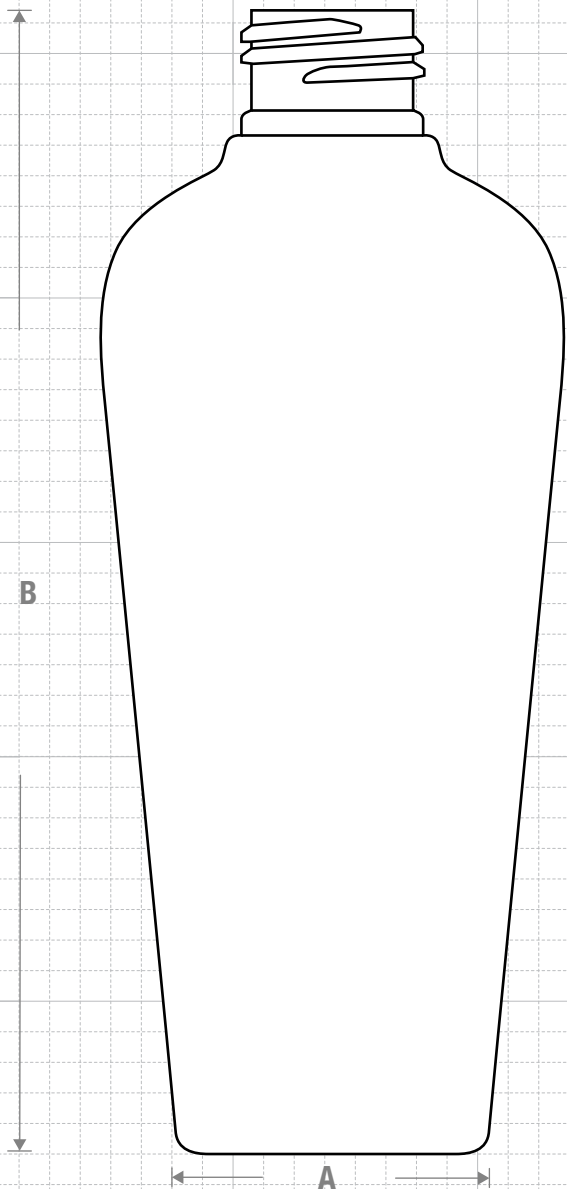


**NECK & THREAD DETAIL**



**FRONT VIEW**

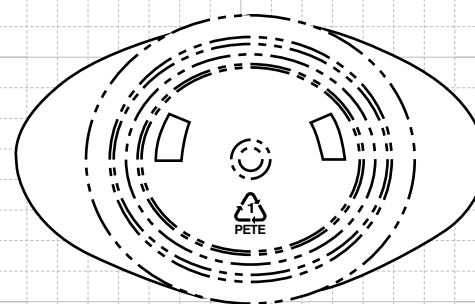
**SIDE VIEW**



Recommended Plugs for this bottle



**FRICTION FIT**



**BOTTOM VIEW**



**CLASSIC CONTAINERS INC**  
 1700 S. Hellman Ave.  
 Ontario, CA 91761  
 Phone: 909-930-3610  
 e-mail: info@classiccontainers.com  
 www.classiccontainers.com

Drawing:  
**6 oz Vail Oval 24/410**

Gram Weight:  
**20 ± 1**

Max Print Area (Height):  
**4.000"**

Cases Per Pallet: **16**

Stock Code:  
**000600100241700**

Neck Finish:  
**24/410**

Max Print Area (Width):  
 Shoulder: **1.453"** Base: **0.875"**

Box Dimensions:  
**24 7/16 x 18 1/2 x 23**

Manufacturing Process:  
**Stretch Blow Molding**

Base Width (A) Base Deep (C):  
**1.630 ± 0.050 1.550 ± 0.050**

Case Pack: **489**

Stock Material:



Overflow Capacity:  
**189 - 201 ml (6.4 - 6.8oz)**

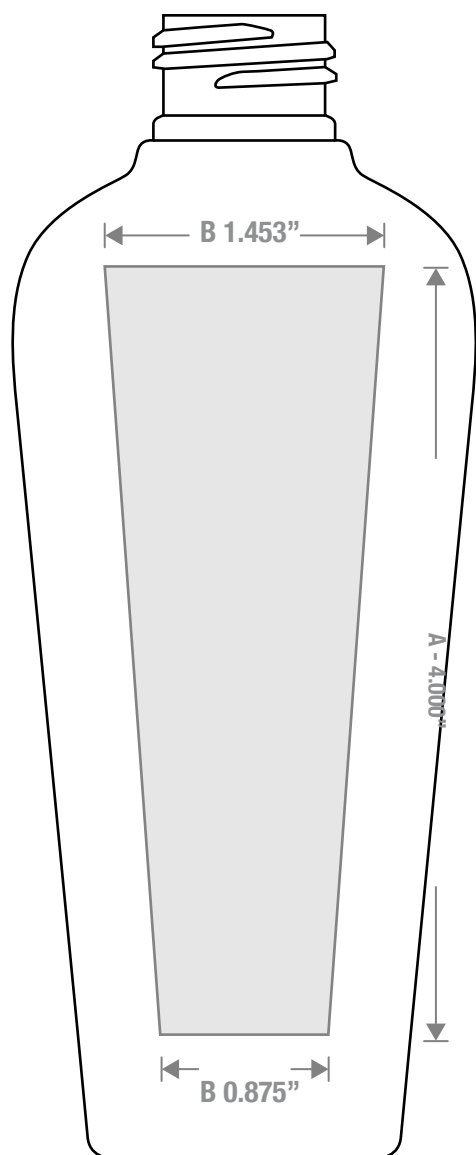
Overall Height (B):  
**5.980 ± 0.050**

Case Weight(lb): **24.4 ± 1.0**

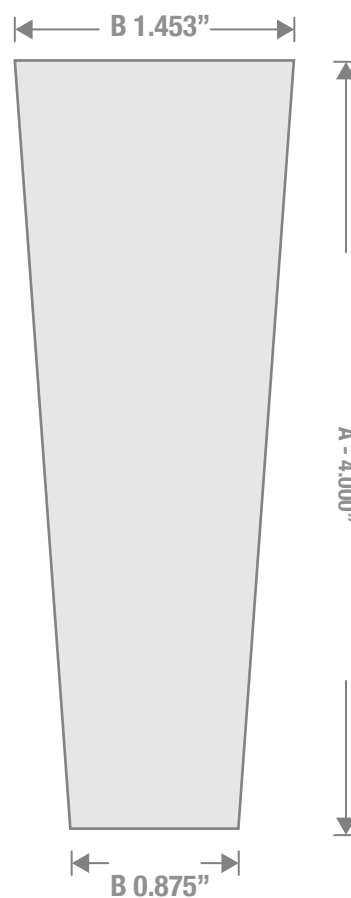
Rev #2 01/2016

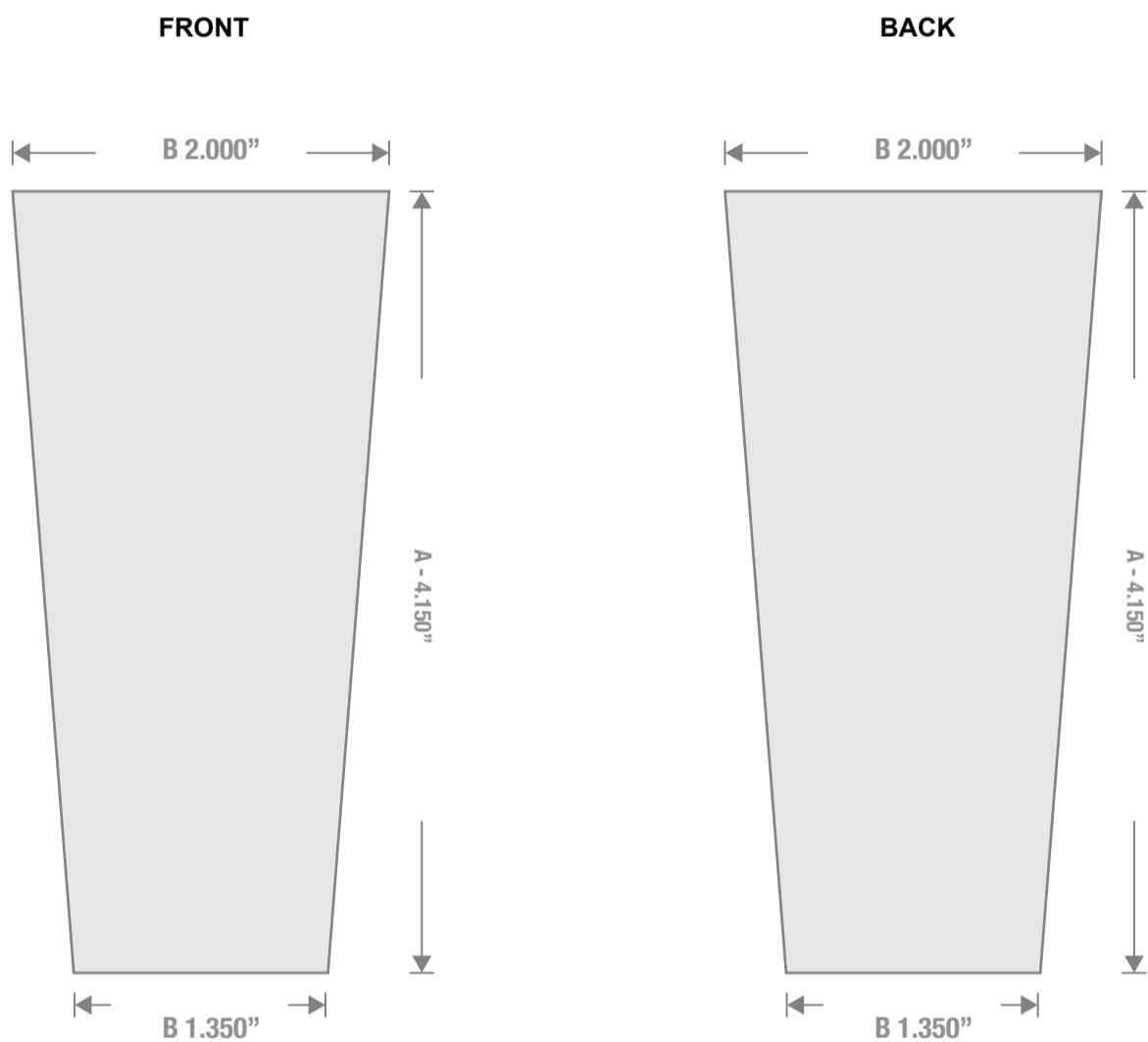
Drawing not exactly to size.

FRONT



BACK





1700 S Hellman Ave, Ontario, California 91761  
Phone: (909) 930-3610 | Fax: (909) 930-3640  
e-mail: [info@classiccontainers.com](mailto:info@classiccontainers.com)  
[www.classiccontainers.com](http://www.classiccontainers.com)

A - Total Height.  
B - Max. Decorating Area.