



Drawing:
24 mm Short Spout Blind Cap w/Short Over Cap

Manufacturing Process:
Injection Molding

Stock Code:

Gram Weight 24 mm Short Spout Blind Cap:
3.7 ± 0.10

Gram Weight 24 mm Short Spout Blind Cap with
 *24 mm Short Over Cap Ribbed Finish
 *24 mm Short Over Cap Matte Finish
4.5 ± 0.10

Neck Finish Short Spout Blind Cap : **24/410**

Stock Material 24 mm Short Spout Blind Cap / Short Over Cap Ribbed or Short Over Cap Matte: **LDPE**

Stock Color 24mm Short Spout Blind Cap: **Natural**

Color Stock:
 24 m Short Over Cap Ribbed:
 24 m Short Over Cap Matte:
White, Red Blue.

Case Pack 24mm Short Spout Blind Cap with : 24 mm Short Over Cap Ribbed or 24 m Short Over Cap Matte Finish: **2100**

Case Weight 24mm Short Spout Blind Cap with: Short Over Cap Ribbed or Short Over Cap Matte Finish:
22.8±0.5

Cases/Pallet: **30**

Box Dimensions:
24 x12 x12 1/4

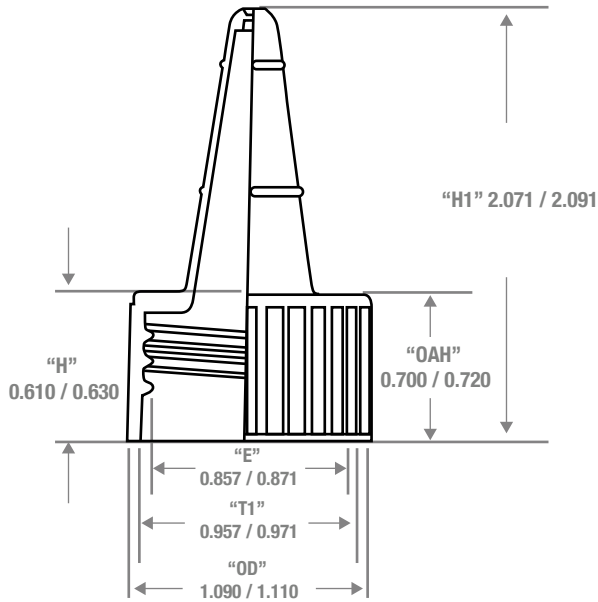
Stock Material:



CLASSIC CONTAINERS INC
 1700 S. Hellman Ave.
 Ontario, CA 91761
 Phone: 909-930-3610
 e-mail: info@classiccontainers.com
 www.classiccontainers.com

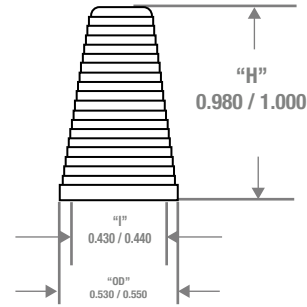
24mm Short Spout Blind Cap

Stock Code 24C000500150000



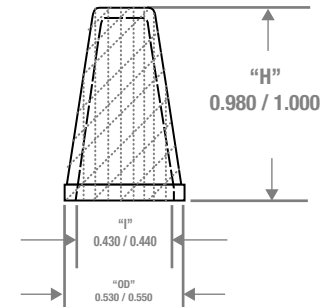
24 mm Short Over Cap Ribbed Finish

Stock Code 24V000700110000

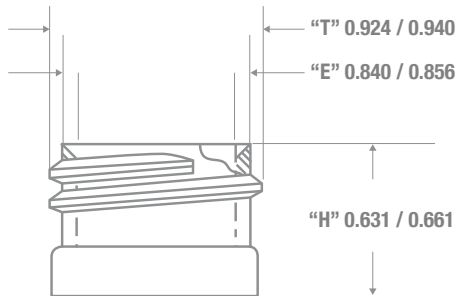


24 mm Short Over Cap Matte Finish

Stock Code 24V000700120000



Recommended Neck Finish Land Area Must Be Smooth

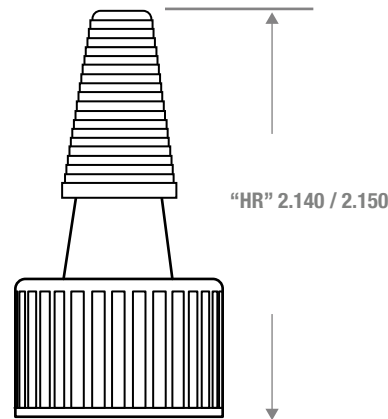


* Linner Optional

*Linner available upon request: **PS22/FS113**

24 mm Short Spout Blind Cap w/Short Over Cap Ribbed Finish

Stock Code 30A010130000000



24 mm Short Spout Blind Cap w/Short Over Cap Matte Finish

Stock Code 30A010140000000

