



Drawing:
**20 mm Short Spout Cap Blind
 w/ Tip Over Cap**

Manufacturing Process:
Injection Molding

Stock Code:
30A01016190000

Gram Weight 20 mm
 Short Spout Cap Blind:
2.90 ± 0.10

Gram Weight 20 mm Short
 Spout Cap Blind/Tip Over Cap:
3.20 ± 0.10

Neck Finish Short Spout Cap
 Blind: **20/410**

Stock Material Short Spout Cap
 Blind / Tip Over Cap: **LDPE**

Stock Color 20 mm Short
 Spout Cap Blind: **Natural**

Stock Color Tip Over Cap:
White, Red, Blue.

Case pack 20 mm Short Spout Cap
 Blind w/ Tip Over Cap:
4000

Case weight 20 mm Short Spout Cap
 Blind w/Tip Over Cap:
30.1 ± 0.90

Cases/Pallet:
30

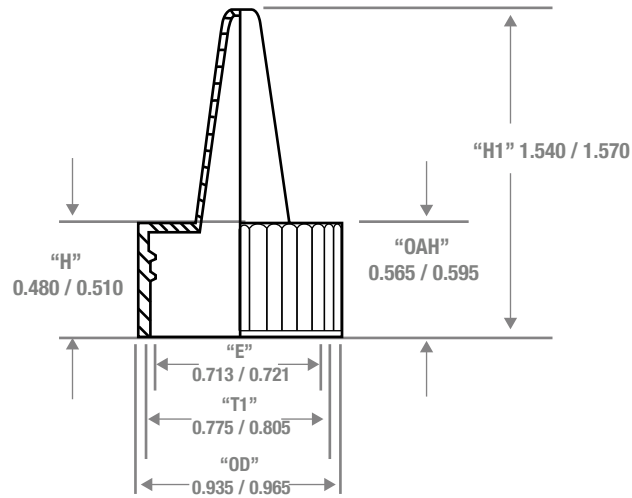
Box Dimensions:
24 x 12 x 12 1/4

Stock Material:

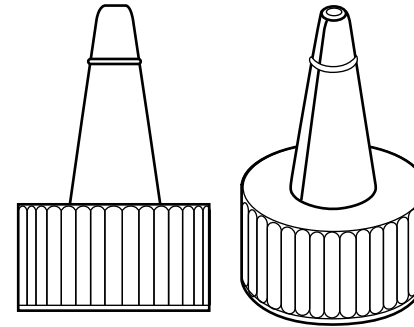
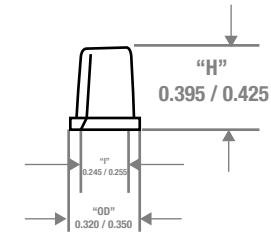


CLASSIC CONTAINERS INC
 1700 S. Hellman Ave.
 Ontario, CA 91761
 Phone: 909-930-3610
 e-mail: info@classiccontainers.com
 www.classiccontainers.com

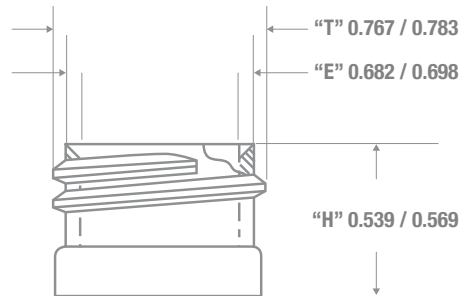
20 mm Short Spout Cap Blind
 Stock Code 20C000500150000



Tip Over Cap
 Stock Code TIPO00700190000

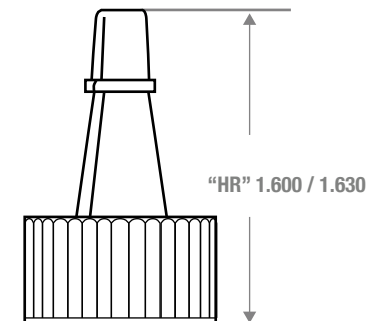


Recommended Neck Finish
 Land Area Must Be Smooth



**20 mm Short Spout Cap Blind
 With Tip Over Cap**

Stock Code 30A010160190000



* Linner Optional

*Linner available upon request: **PS22/FS113**

FS319/FS59/PS403