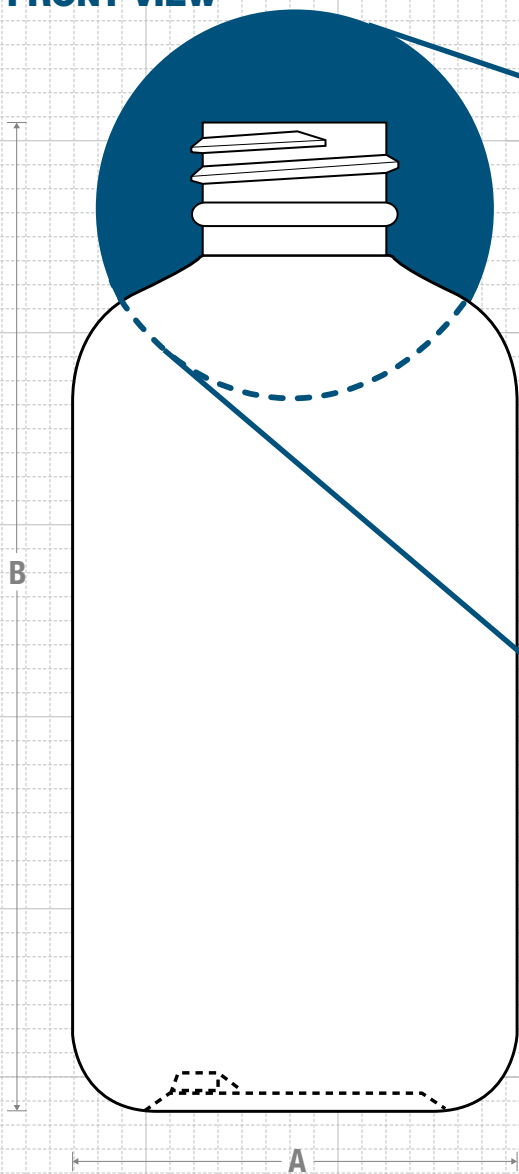
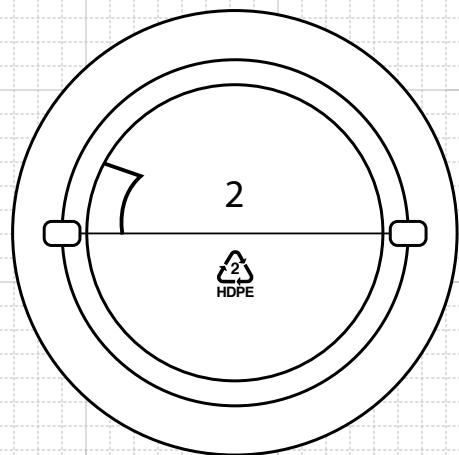
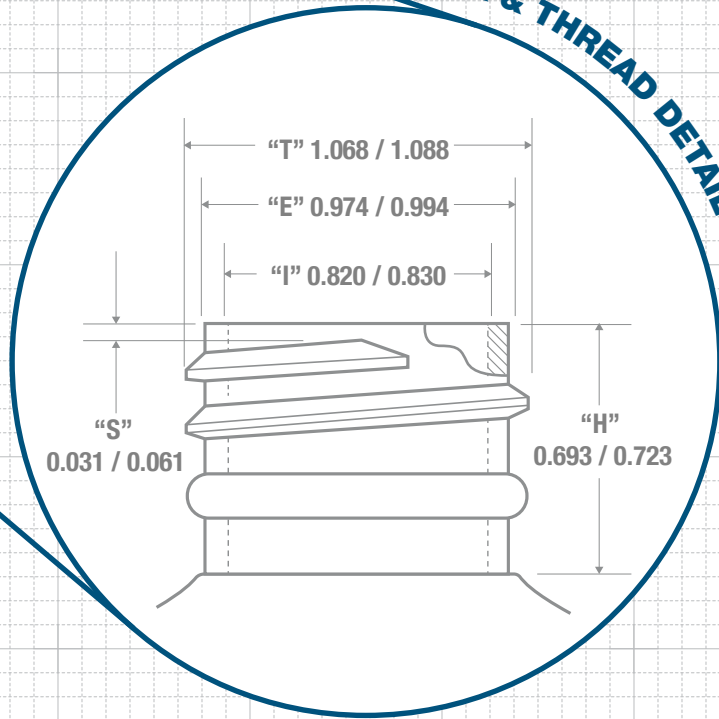


FRONT VIEW



NECK & THREAD DETAIL



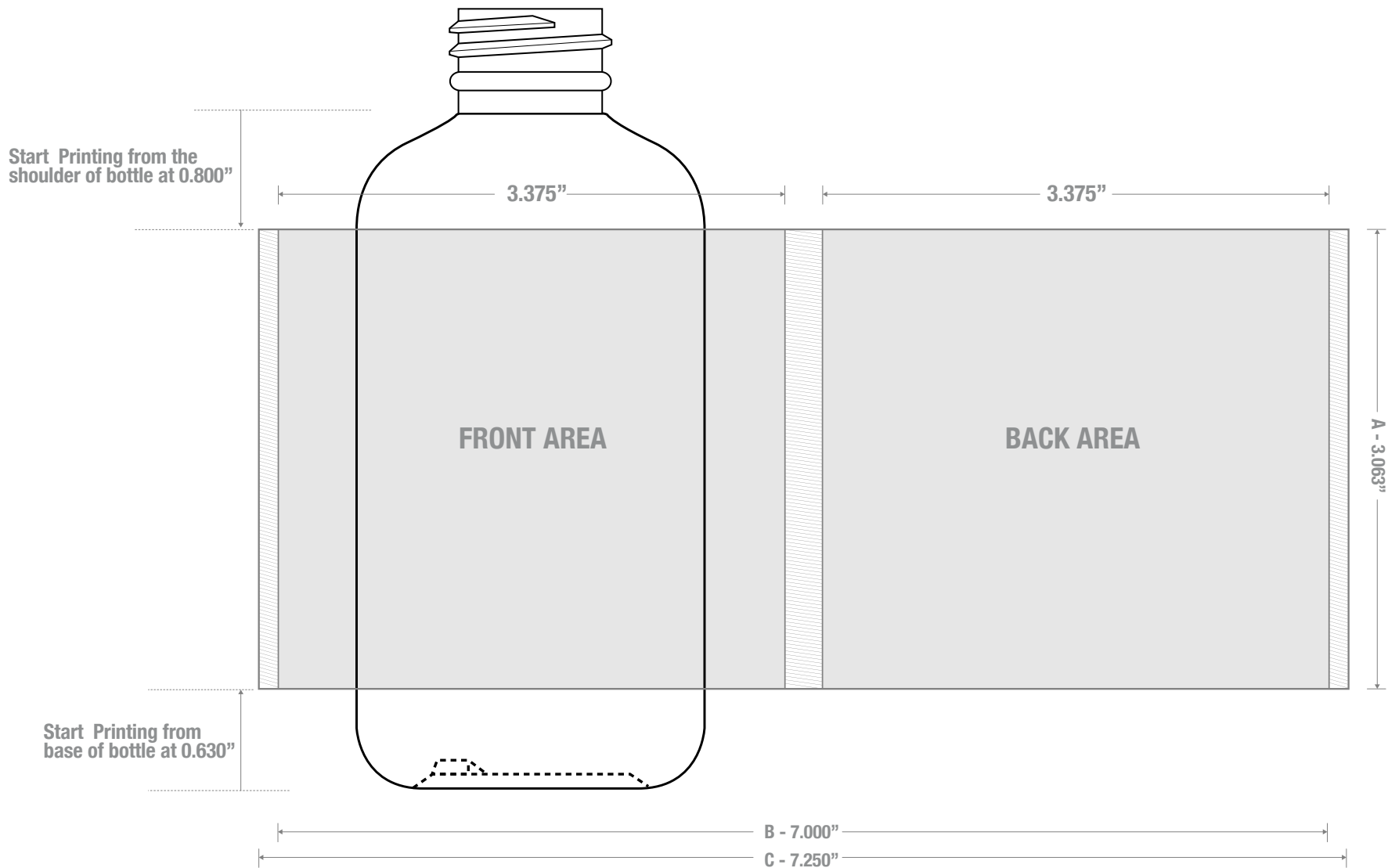
BOTTOM VIEW

Drawing: 8 oz Boston Round 28/410	Gram Weight: 21.5 ± 2	Max Print Area (Height): 3.063"	Cases Per Pallet: 16
Stock Code: 000800060280000	Neck Finish: 28/410	Max Print Area (Width): 7.000"	Box Dimensions: 24 7/16 x 18 1/2 x 23
Manufacturing Process: Extrusion Blow Molding	Base Width (A): 2.315 ± 0.050	Case Pack: 394	Stock Material:
Overflow Capacity: 266 - 283 ml (9.0 - 9.6 oz)	Overall Height (B): 5.200 ± 0.050	Case Weight (lb): 21.6 ± 1.7	Rev #6 -11/2021 Drawing not exactly to size.



CLASSIC CONTAINERS INC
 1700 S. Hellman Ave.
 Ontario, CA 91761
 Phone: 909-930-3610
 e-mail: info@classiccontainers.com
 www.classiccontainers.com

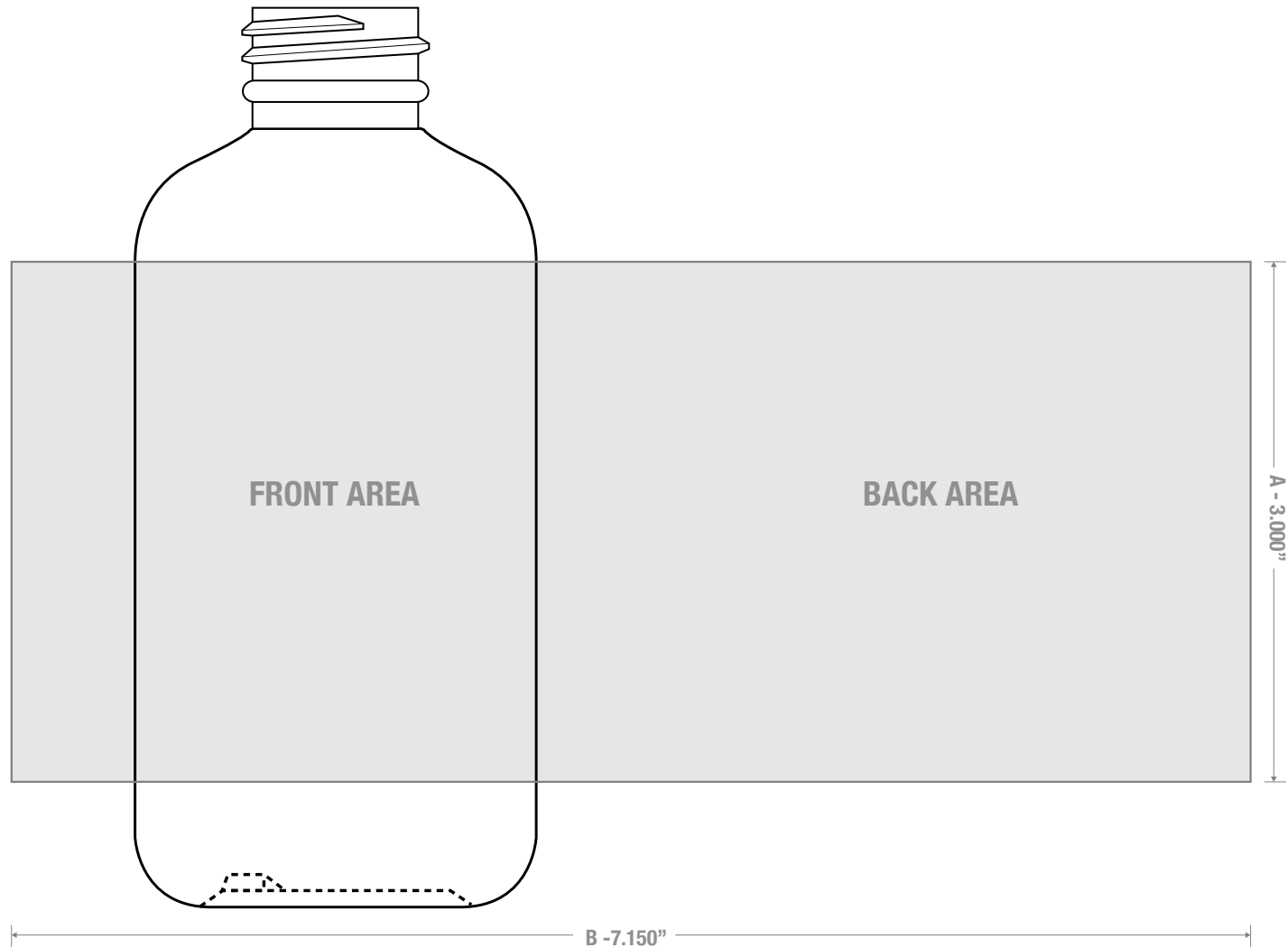
PRINTING SPECIFICATIONS: 8 oz BOSTON ROUND



1700 S Hellman Ave, Ontario, California 91761
Phone: (909) 930-3610 | Fax: (909) 930-3640
e-mail: info@classiccontainers.com
www.classiccontainers.com

A - Total Height.
B - Max. Decorating Area.
C - Total bottle circumference.
▨ - Unprintable area.

LABELING SPECIFICATIONS: 8 oz BOSTON ROUND



1700 S Hellman Ave, Ontario, California 91761
Phone: (909) 930-3610 | Fax: (909) 930-3640
e-mail: info@classiccontainers.com
www.classiccontainers.com

A - Total Height.
B - Max. Decorating Area.