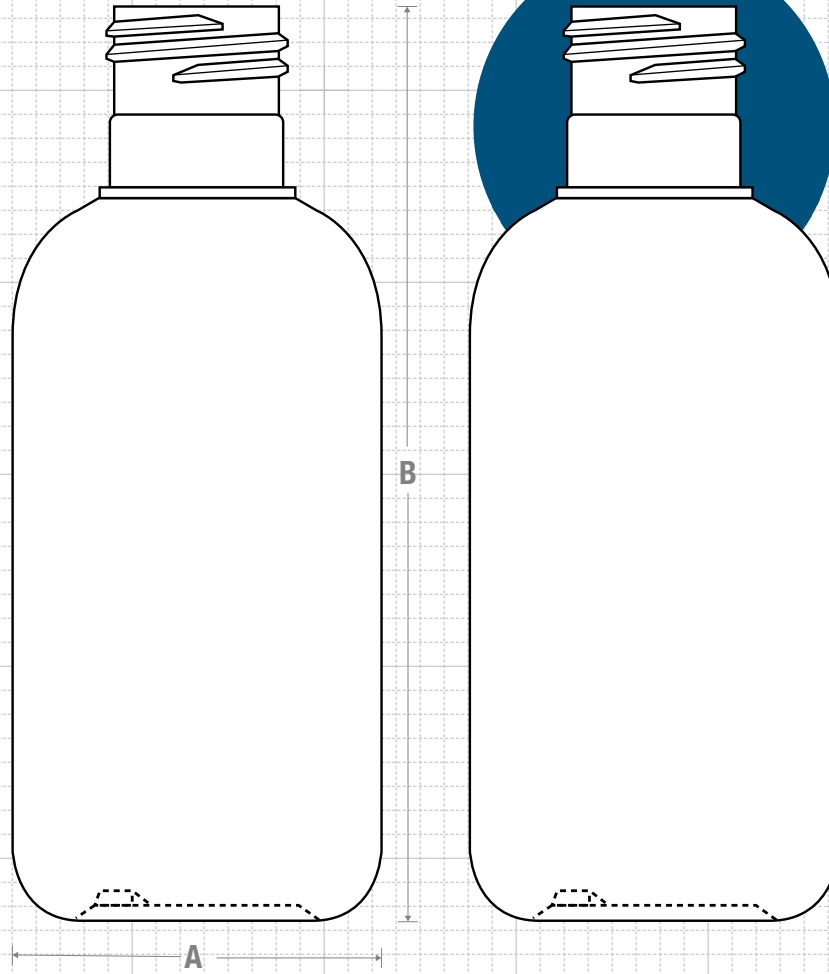
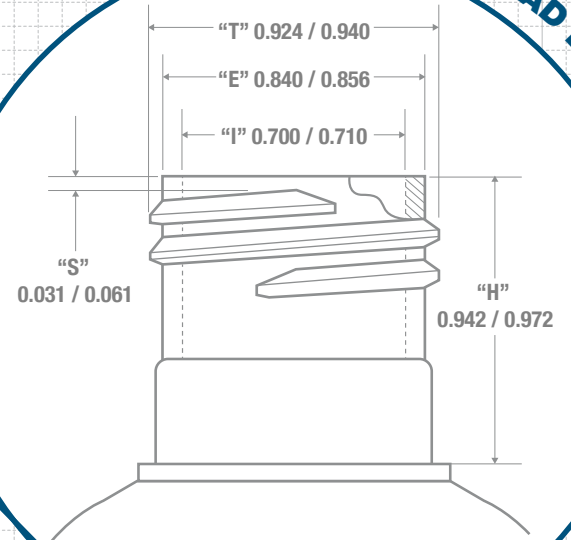




### FRONT VIEW



### NECK & THREAD DETAIL



Drawing:  
**5 oz Boston Round 24/415**

Stock Code:  
**000500060250000**

Manufacturing Process:  
**Extrusion Blow Molding**

Overflow Capacity:  
**153 - 168 ml (5.2 - 5.7 oz)**

Gram Weight:  
**13.5 ± 1**

Neck Finish:  
**24/415**

Base Width (A):  
**1.900 ± 0.050**

Overall Height (B):  
**4.765 ± 0.050**

Max Print Area (Height):  
**2.750"**

Max Print Area (Width):  
**5.750"**

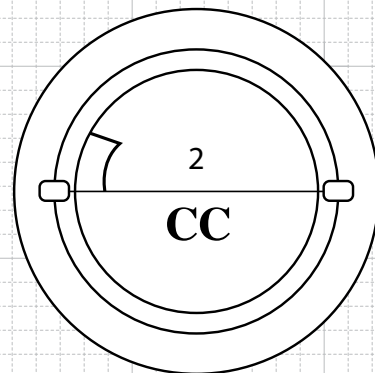
Case Pack: **660**

Case Weight (lb): **14.1 ± 0.9**

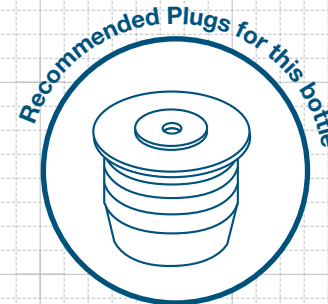
Cases Per Pallet: **25**

Box Dimensions:  
**24 7/16 x 18 1/2 x 23**

Stock Material:



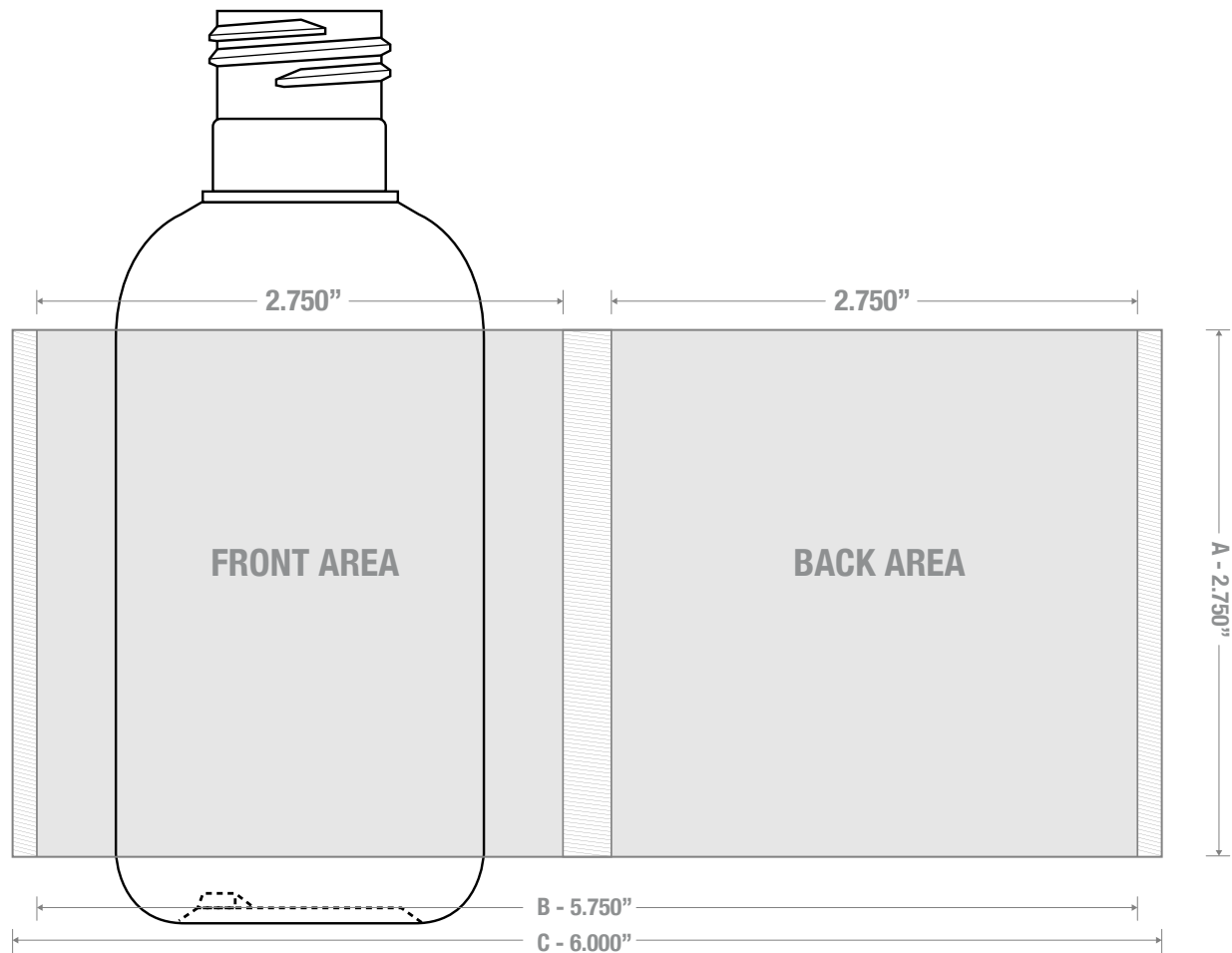
### BOTTOM VIEW



### FRICTION FIT

**CLASSIC CONTAINERS INC**  
1700 S. Hellman Ave.  
Ontario, CA 91761  
Phone: 909-930-3610  
e-mail: info@classiccontainers.com  
[www.classiccontainers.com](http://www.classiccontainers.com)

# PRINTING SPECIFICATIONS: 5 oz BOSTON ROUND



1700 S Hellman Ave, Ontario, California 91761  
Phone: (909) 930-3610 | Fax: (909) 930-3640  
e-mail: [info@classiccontainers.com](mailto:info@classiccontainers.com)  
[www.classiccontainers.com](http://www.classiccontainers.com)

**A - Total Height.**  
**B - Max. Decorating Area.**  
**C - Total bottle circumference.**  
▨ - Unprintable area.