



Drawing:
2 oz Evolution 20/415

Stock Code:
000200330210000

Manufacturing Process:
Extrusion Blow Molding

Overflow Capacity:
65.0 -74.0 ml (2.2 - 2.5 oz)

Gram Weight:
9± 1

Neck Finish:
20/415

Base Width (A):
1.320 ± 0.050

Overall Height (B):
4.188 ± 0.050

Max Print Area (Height):
2.250"

Max Print Area (Width):
3.875"

Case Pack: 884

Case Weight (lb): 19.7 ± 1.9

Cases Per Pallet: 25

Box Dimensions:
23 5/8 x 15 9/16 x17

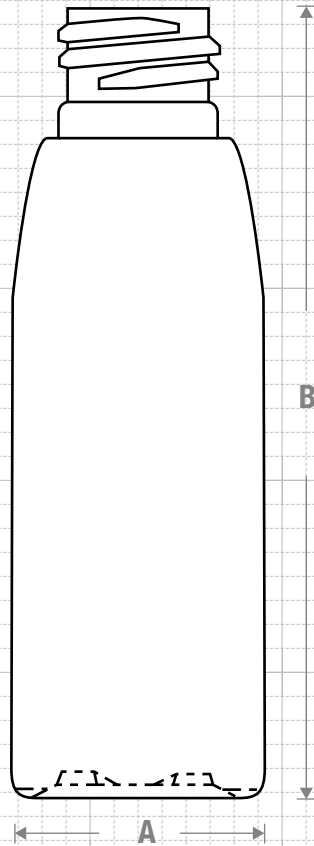
Stock Material:



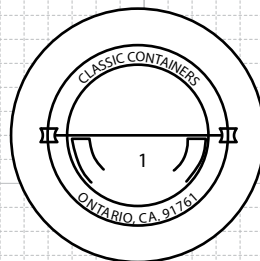
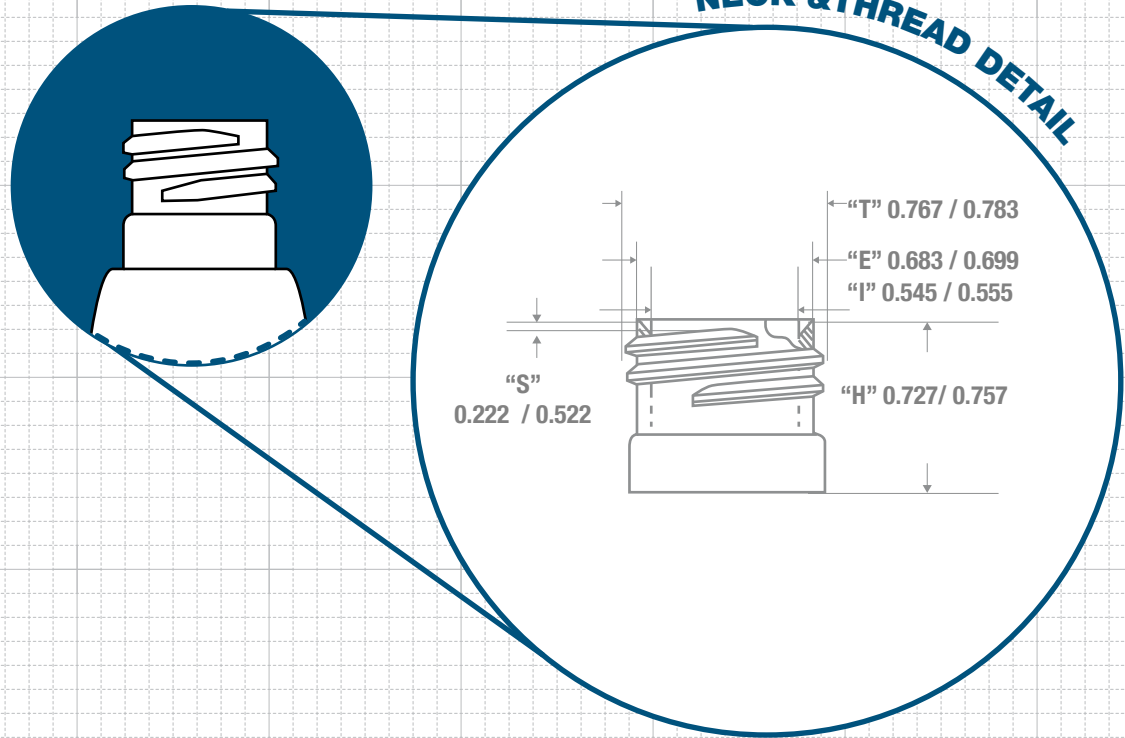
CLASSIC CONTAINERS INC
1700 S. Hellman Ave.
Ontario, CA 91761
Phone: 909-930-3610
e-mail: info@classiccontainers.com
www.classiccontainers.com



FRONT VIEW



NECK & THREAD DETAIL



BOTTOM VIEW

Recommended Plugs for this bottle

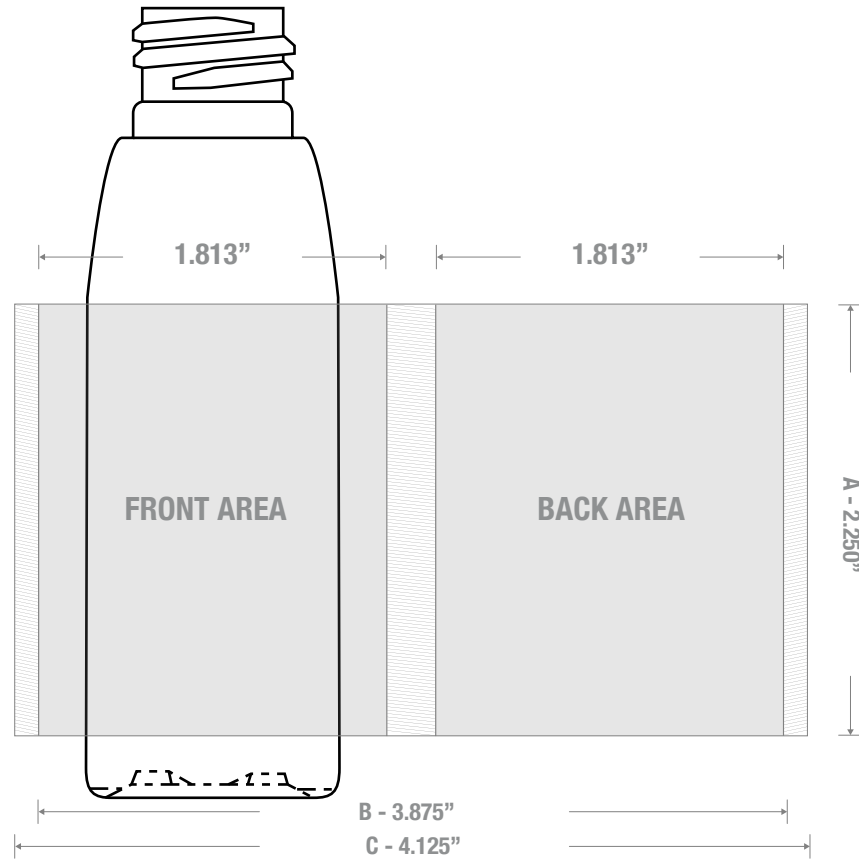


Recommended Plugs for this bottle



FRICITION FIT

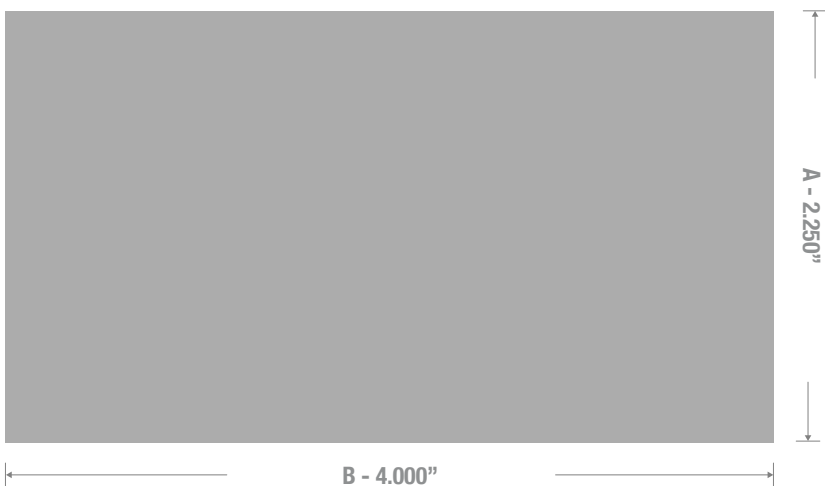
PRINTING SPECIFICATIONS: 2 oz EVOLUTION 20/415



1700 S Hellman Ave, Ontario, California 91761
Phone: (909) 930-3610 | Fax: (909) 930-3640
e-mail: info@classiccontainers.com
www.classiccontainers.com

A - Total Height.
B - Max. Decorating Area.
C - Total bottle circumference.
▨ - Unprintable area.

LABELING SPECIFICATIONS: 2 oz EVOLUTION 20/415



1700 S Hellman Ave, Ontario, California 91761
Phone: (909) 930-3610 | Fax: (909) 930-3640
e-mail: info@classiccontainers.com
www.classiccontainers.com

A - Total Height.
B - Total bottle circumference.