



Drawing:
500 ml Pedestal 38/400

Stock Code:
05000038038

Manufacturing Process:
Extrusion Blow Molding

Overflow Capacity:
528 - 552 ml (17.9 - 18.7 oz)

Gram Weight:
45 ± 2

Neck Finish:
38/400

Base Width (A):
2.850 ± 0.050

Overall Height (B):
7.500 ± 0.050

Max Print Area (Height):

Max Print Area (Width):

Case Pack: **192**

Case Weight (lb): **22.0 ± 0.9**

Cases Per Pallet: **16**

Box Dimensions:
24 7/16 x 18 1/2 x 23

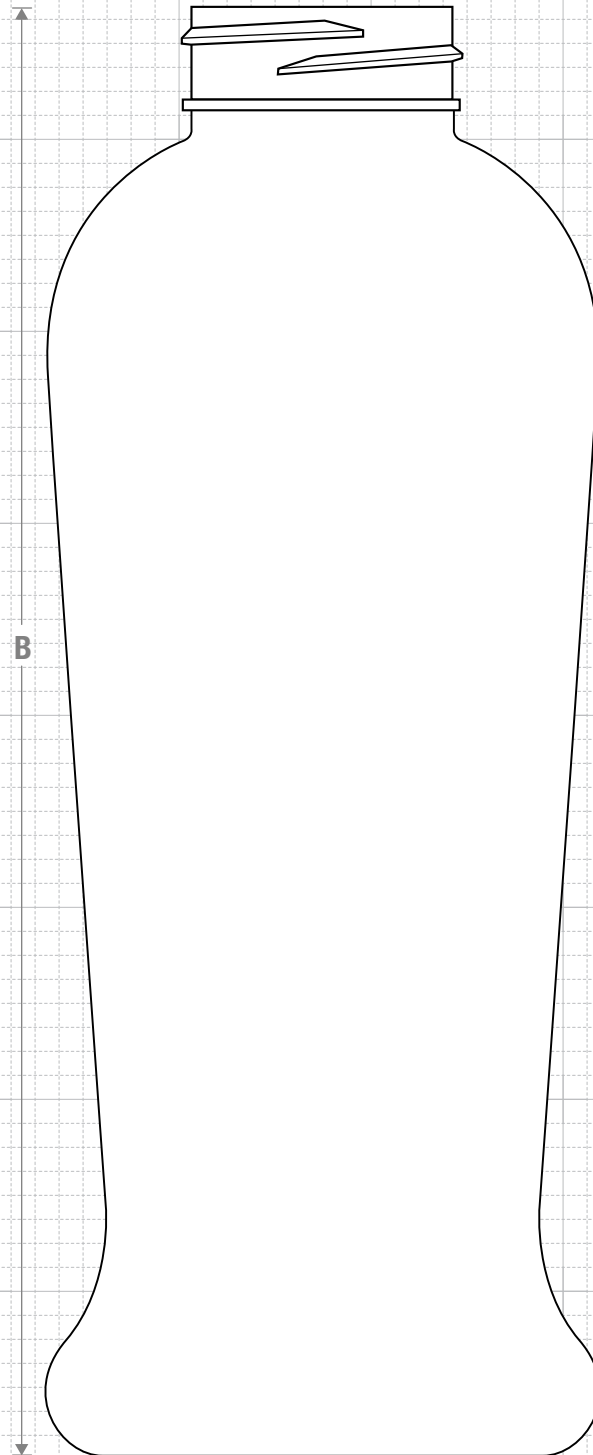
Stock Material:



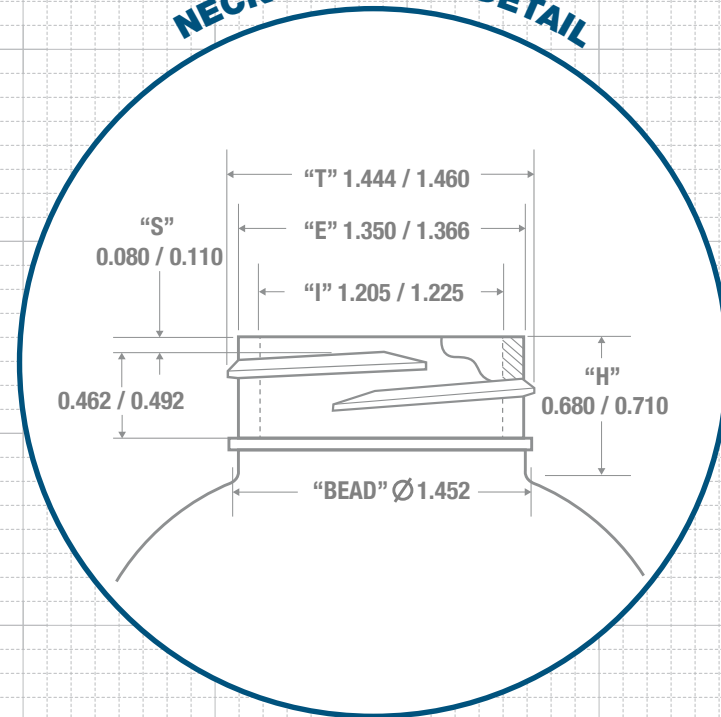
CLASSIC CONTAINERS INC
1700 S. Hellman Ave.
Ontario, CA 91761
Phone: 909-930-3610
e-mail: info@classiccontainers.com
www.classiccontainers.com



FRONT VIEW



NECK & THREAD DETAIL



BOTTOM VIEW

