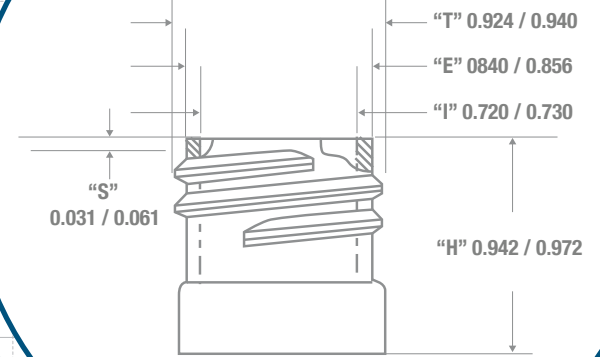
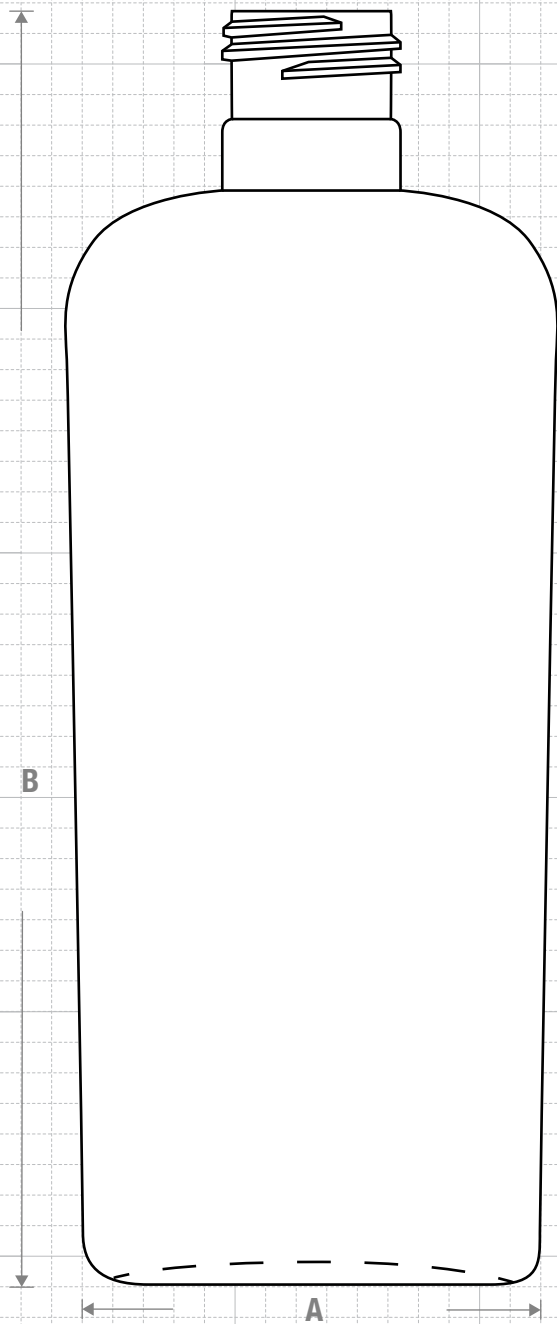




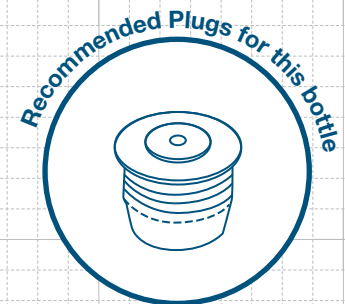
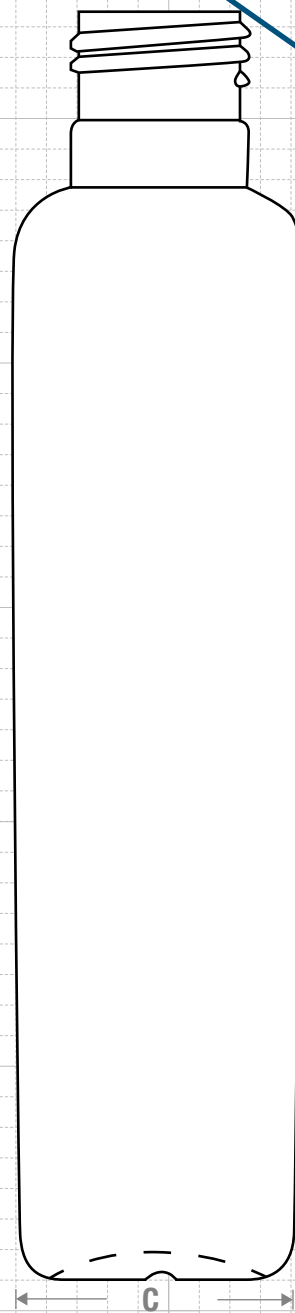
NECK & THREAD DETAIL



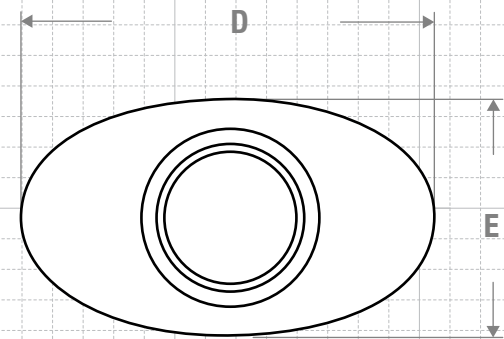
FRONT VIEW



SIDE VIEW

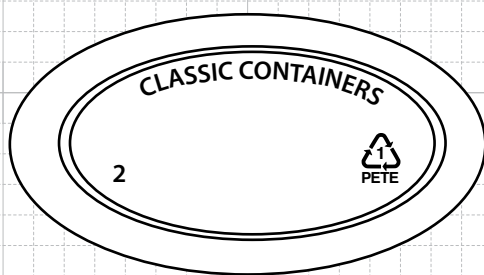


FRICTION FIT



TOP VIEW

D Shoulder Width: 2.667 ± 0.050
 E Shoulder Depth: 1.541 ± 0.050



BOTTOM VIEW



CLASSIC CONTAINERS INC
 1700 S. Hellman Ave.
 Ontario, CA 91761
 Phone: 909-930-3610
 e-mail: info@classiccontainers.com
 www.classiccontainers.com

Drawing:
8 oz Classic Oval 24/415

Stock Code:
000800230251700

Manufacturing Process:
Stretch Blow Molding

Overflow Capacity:
254 - 271 ml (8.6 - 9.2 oz)

Gram Weight:
 23 ± 1

Neck Finish:
24/415

Base Width (A) Base Deep (C):
 2.476 ± 0.050 1.387 ± 0.050

Overall Height (B):
 6.646 ± 0.050

Max Print Area (Height):
4.375"

Max Print Area (Width):
1.750"

Case Pack: **403**

Case Weight (lb): **23.3 ± 0.9**

Cases Per Pallet: **16**

Box Dimensions:
 $24 \frac{7}{16} \times 18 \frac{1}{2} \times 23$

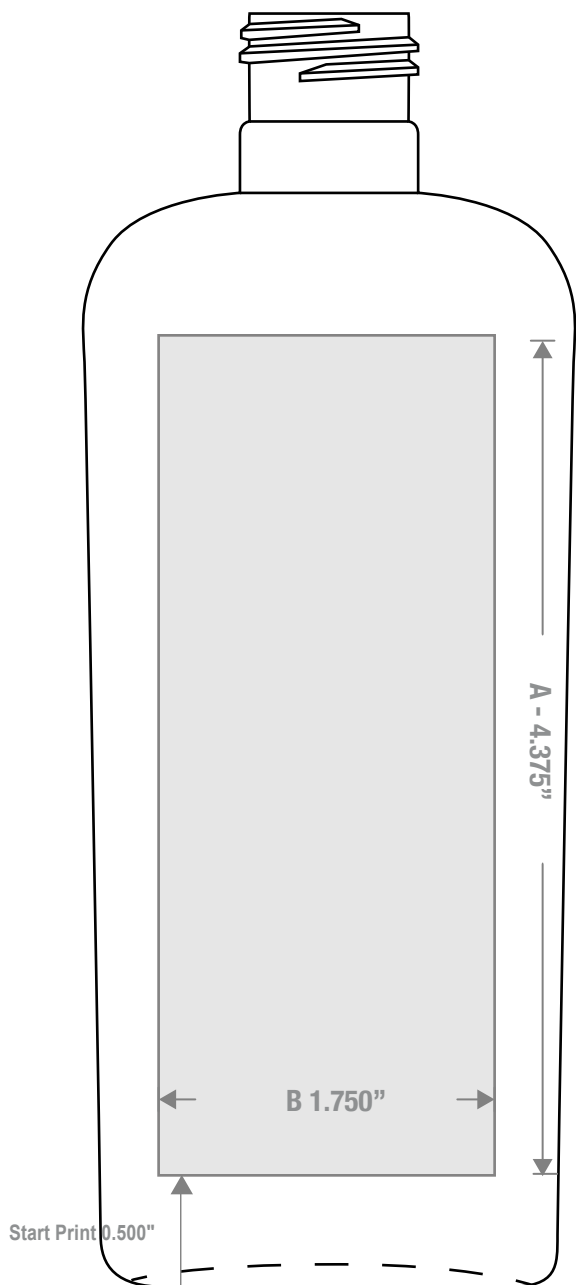
Stock Material:



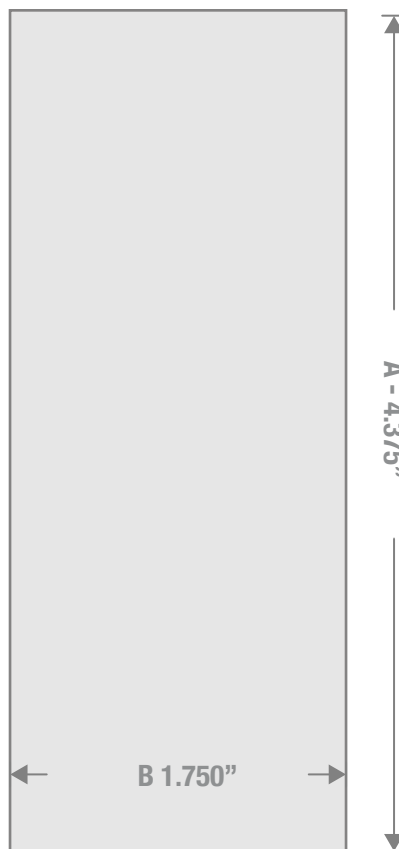
Rev #3 03/2016

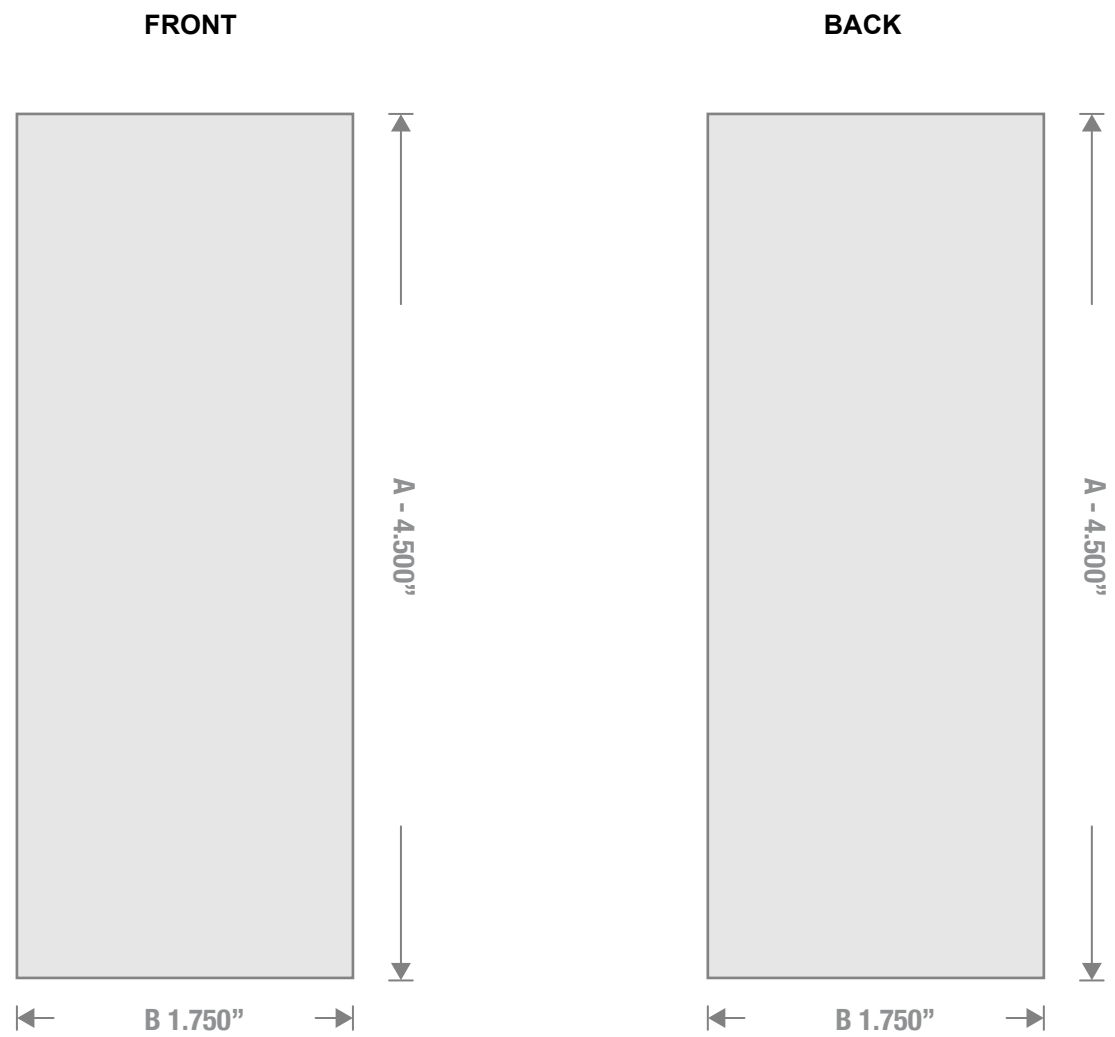
Drawing not exactly to size.

FRONT



BACK





1700 S Hellman Ave, Ontario, California 91761
Phone: (909) 930-3610 | Fax: (909) 930-3640
e-mail: info@classiccontainers.com
www.classiccontainers.com

A - Total Height.
B - Max. Decorating Area.