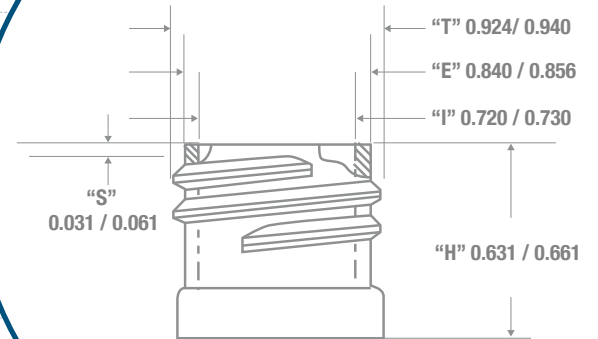


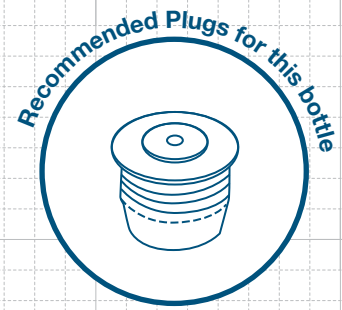
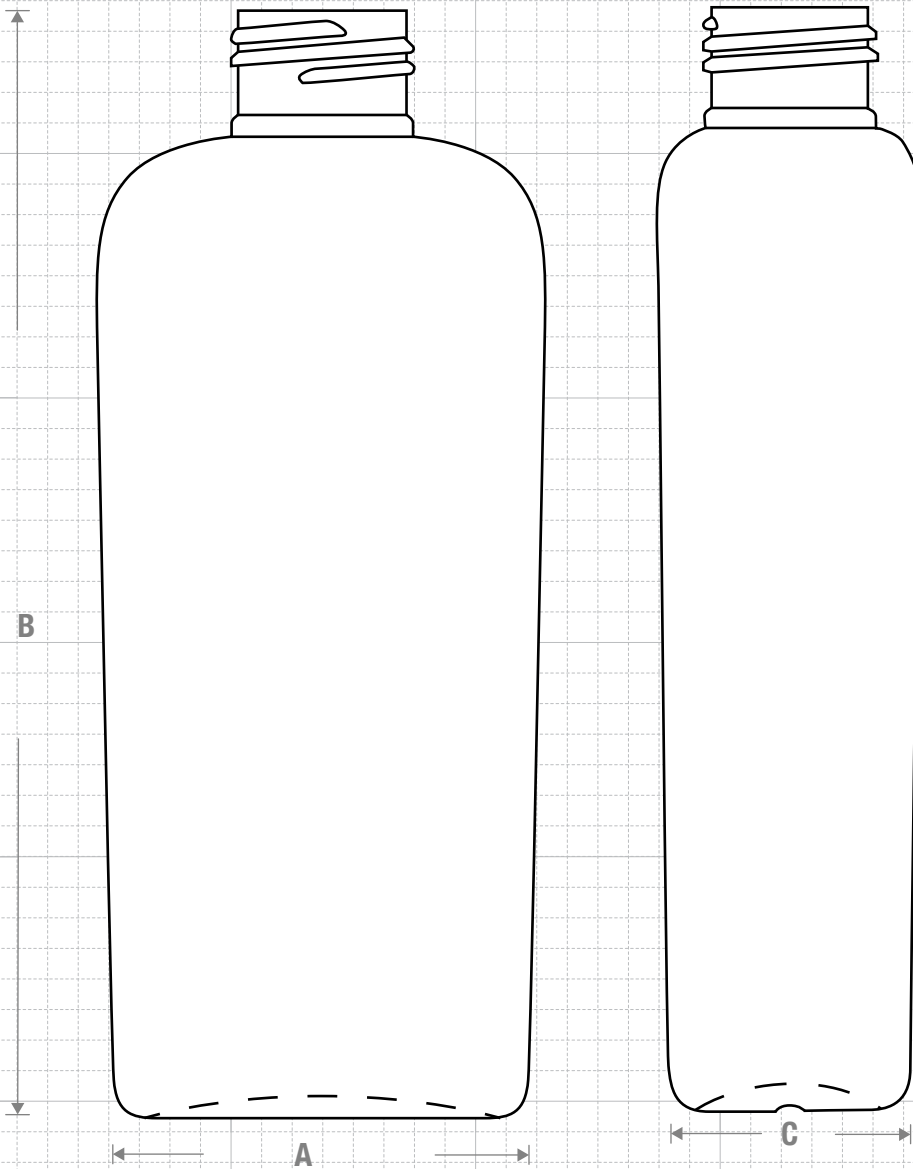


### NECK & THREAD DETAIL

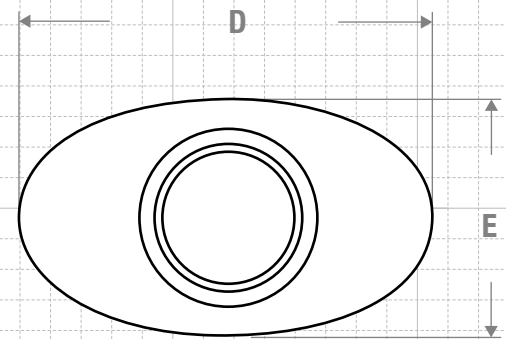


### FRONT VIEW

### SIDE VIEW

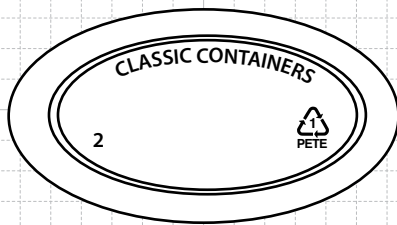


### FRICION FIT



### TOP VIEW

D Shoulder Width:  $2.335 \pm 0.050$   
 E Shoulder Depth:  $1.381 \pm 0.050$



### BOTTOM VIEW



**CLASSIC CONTAINERS INC**  
 1700 S. Hellman Ave.  
 Ontario, CA 91761  
 Phone: 909-930-3610  
 e-mail: info@classiccontainers.com  
 www.classiccontainers.com

Drawing:  
**6 oz Classic Oval 24/410**

Gram Weight:  
 **$20.0 \pm 1$**

Max Print Area (Height):  
**3.875"**

Cases Per Pallet: **16**

Stock Code:  
**000600230241700**

Neck Finish:  
**24/410**

Max Print Area (Width):  
**1.500"**

Box Dimensions:  
 **$24 \frac{7}{16} \times 18 \frac{1}{2} \times 23$**

Manufacturing Process:  
**Stretch Blow Molding**

Base Width (A) Base Deep (C):  
 **$2.173 \pm 0.050$   $1.243 \pm 0.050$**

Case Pack: **600**

Stock Material:



Overflow Capacity:  
**180 - 192 ml (6.1 - 6.5 oz)**

Overall Height (B):  
 **$5.768 \pm 0.050$**

Case Weight (lb):  **$29.4 \pm 1.3$**

Rev #2 03/2016

Drawing not exactly to size.

