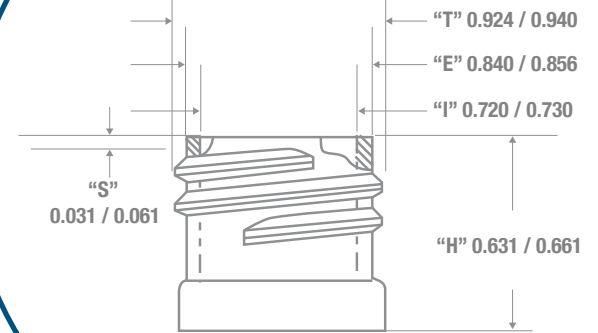


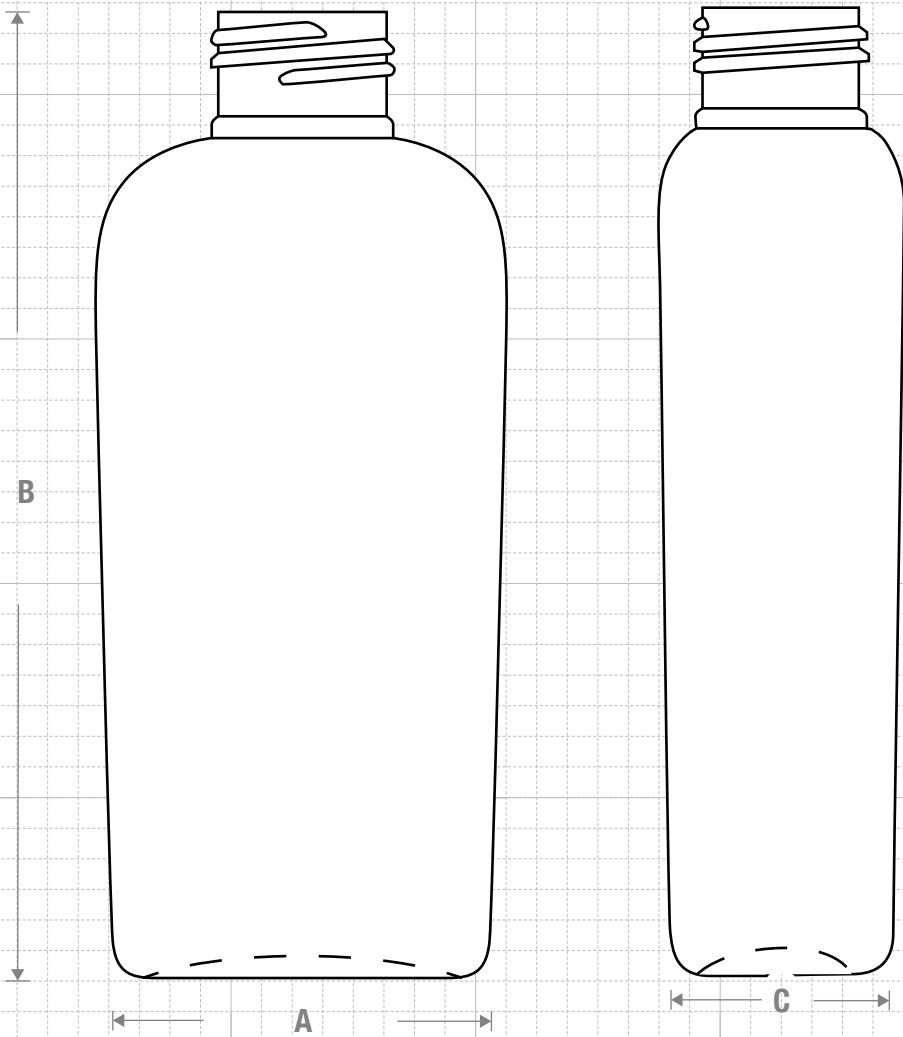


NECK & THREAD DETAIL

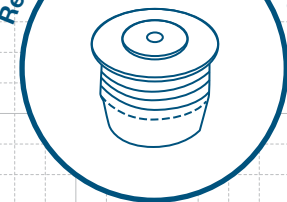


FRONT VIEW

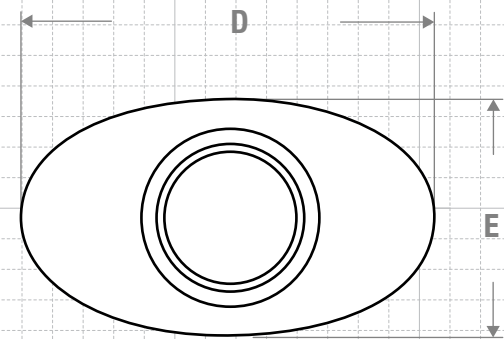
SIDE VIEW



Recommended Plugs for this bottle



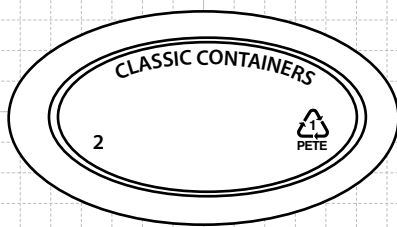
FRICITION FIT



TOP VIEW

D Shoulder Width: 2.157 ± 0.050

E Shoulder Depth: 1.285 ± 0.050



BOTTOM VIEW



CLASSIC CONTAINERS INC
 1700 S. Hellman Ave.
 Ontario, CA 91761
 Phone: 909-930-3610
 e-mail: info@classiccontainers.com
 www.classiccontainers.com

Drawing: **4 oz Classic Oval 24/410**

Gram Weight: **15 ± 1**

Max Print Area (Height): **3.400"**

Cases Per Pallet: **25**

Stock Code: **000400230241700**

Neck Finish: **24/410**

Max Print Area (Width): **1.300"**

Box Dimensions: **23 5/8 x 15 9/16 x 17**

Manufacturing Process: **Stretch Blow Molding**

Base Width (A) **2.033 ± 0.050** Base Deep (C): **1.124 ± 0.050**

Case Pack: **474**

Stock Material:



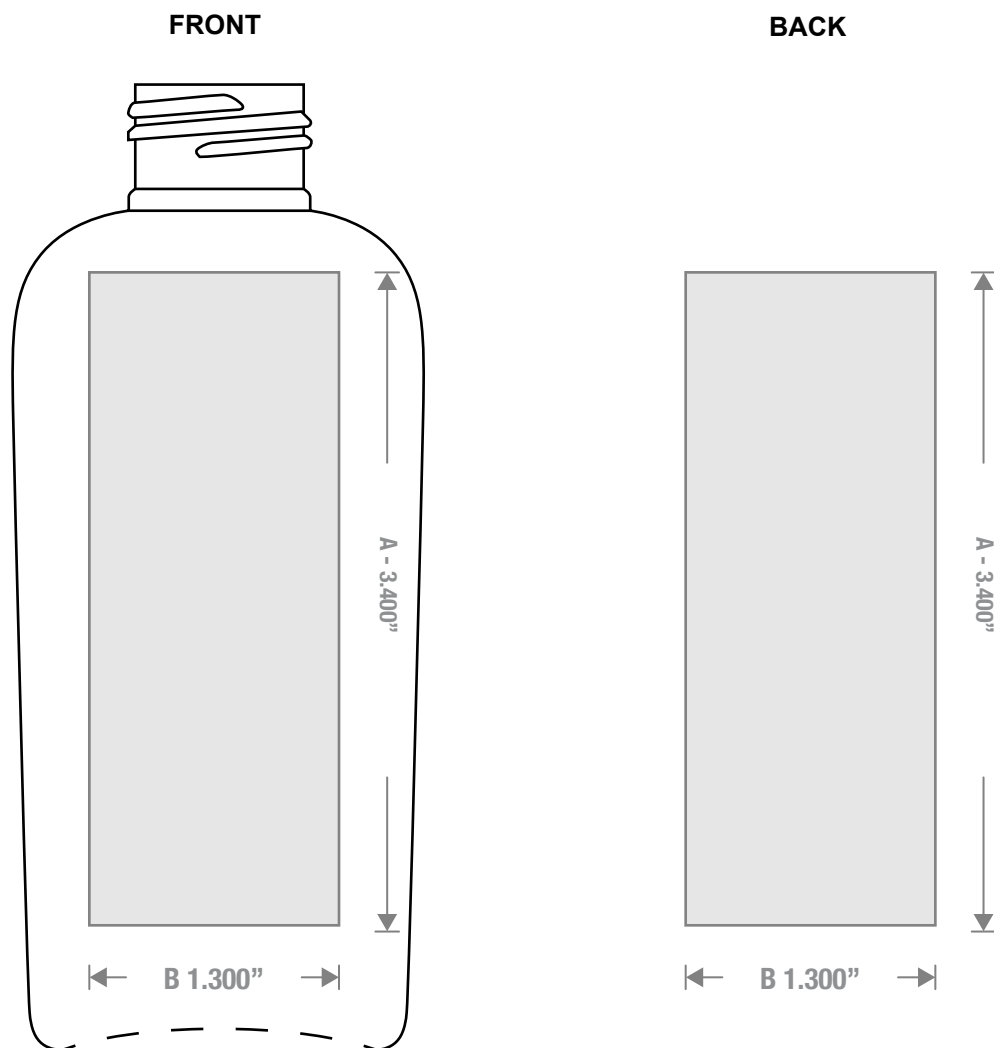
Overflow Capacity: **129 - 142 ml (4.4- 4.8 oz)**

Overall Height (B): **5.047 ± 0.050**

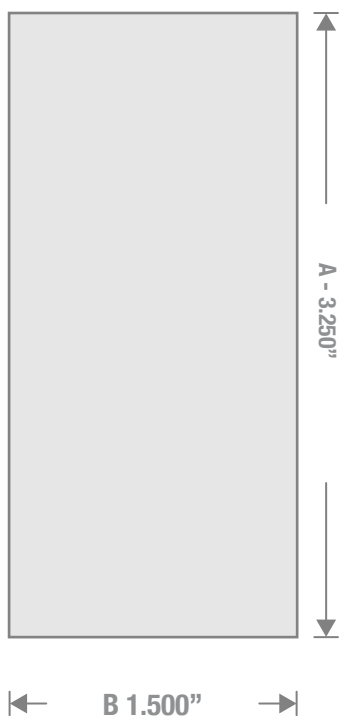
Case Weight (lb): **17.8 ± 1.0**

Rev #2 02/2016

Drawing not exactly to size.



FRONT



BACK

