



# FRONT VIEW



Drawing:  
4 oz Boston Round 22/400

Stock Code:  
000400060220000

Manufacturing Process:  
Extrusion Blow Molding

Overflow Capacity:  
121 - 133 ml (4.1 - 4.5 oz)

Gram Weight:  
13.5 ± 1

Neck Finish:  
22/400

Base Width (A):  
1.885 ± 0.050

Overall Height (B):  
3.750 ± 0.050

Max Print Area (Height):  
2.187"

Max Print Area (Width):  
5.687"

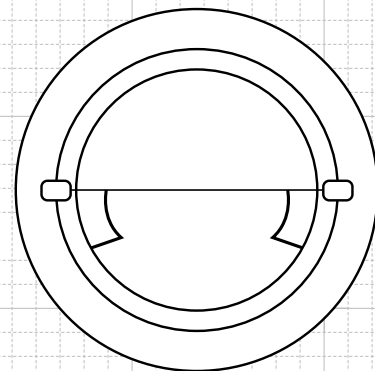
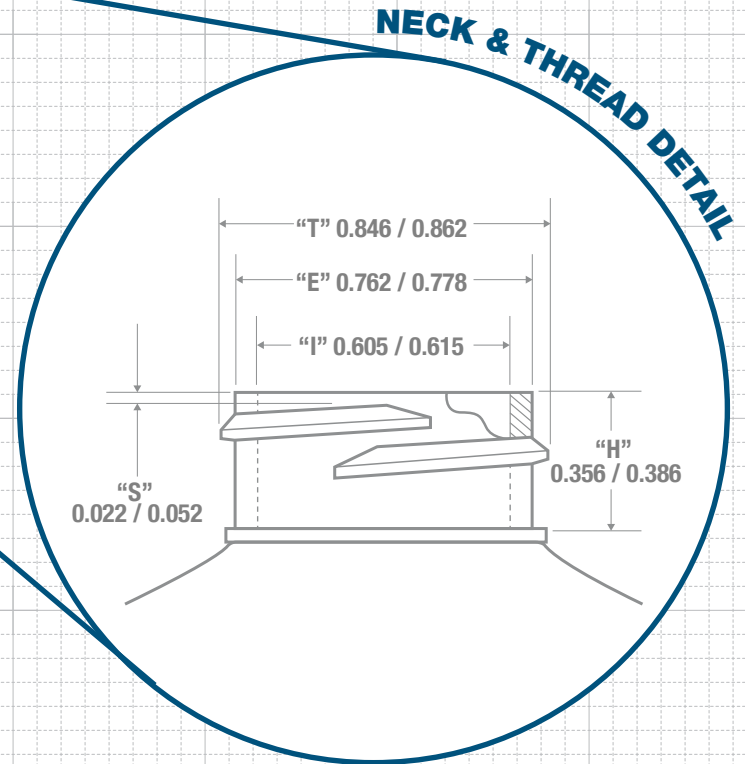
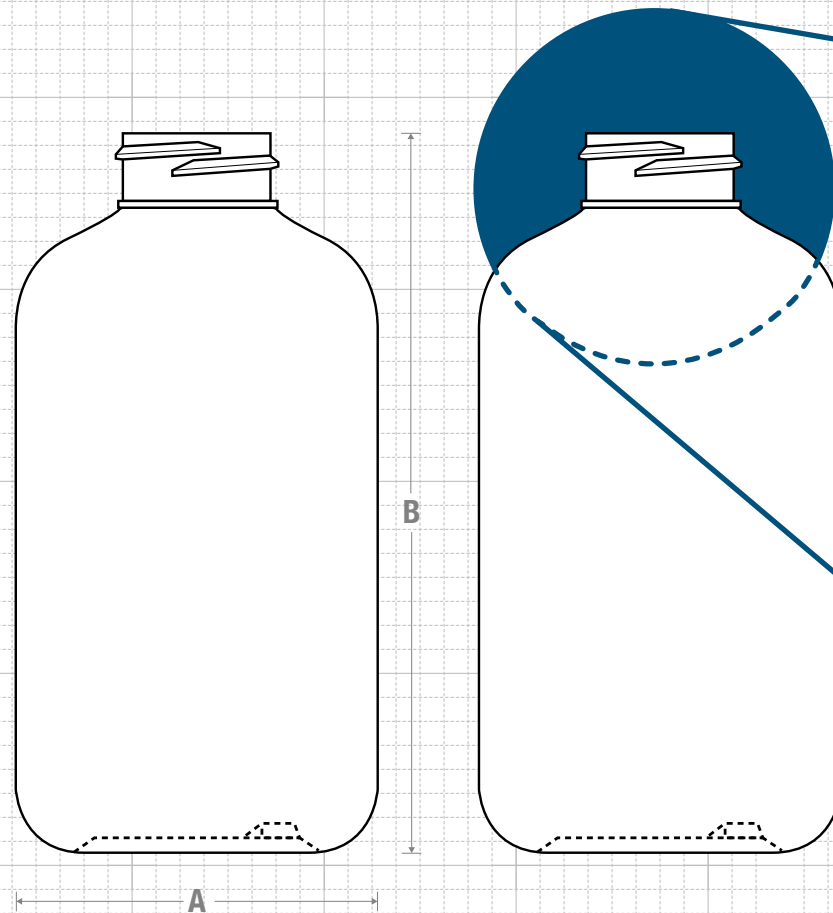
Case Pack: 480

Case Weight (lb): 16.4 ± 1.0

Cases Per Pallet: 25

Box Dimensions:  
223 5/8 x 15 9/16 x 17

Stock Material:



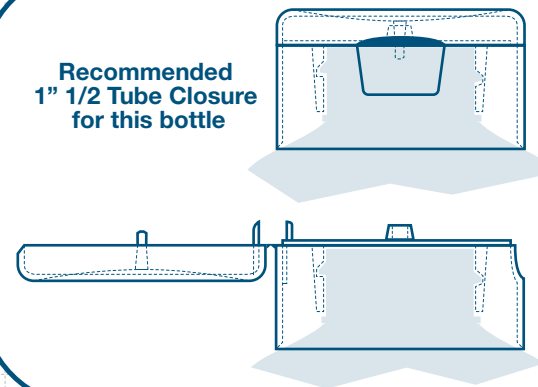
# BOTTOM VIEW

Recommended Plugs for this bottle



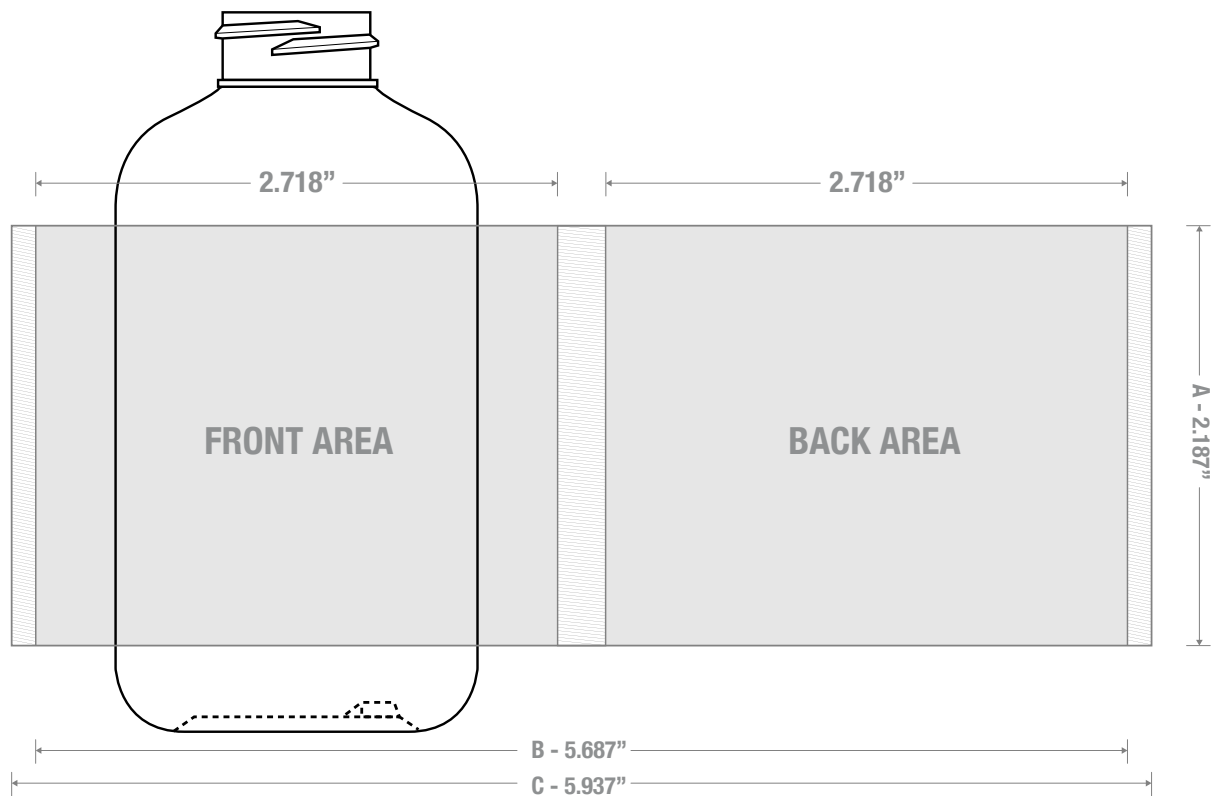
FRICION FIT

Recommended  
1" 1/2 Tube Closure  
for this bottle



CLASSIC CONTAINERS INC  
1700 S. Hellman Ave.  
Ontario, CA 91761  
Phone: 909-930-3610  
e-mail: info@classiccontainers.com  
www.classiccontainers.com

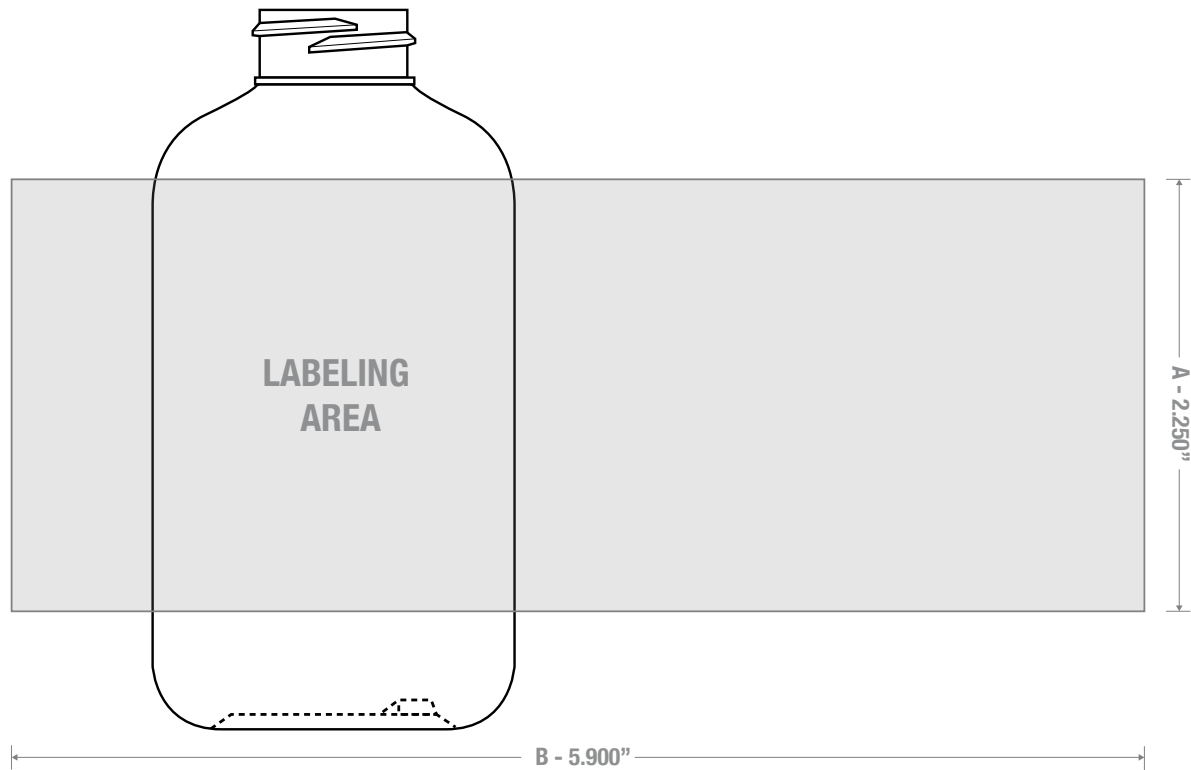
# PRINTING SPECIFICATIONS: 4 oz BOSTON ROUND



1700 S Hellman Ave, Ontario, California 91761  
Phone: (909) 930-3610 | Fax: (909) 930-3640  
e-mail: [info@classiccontainers.com](mailto:info@classiccontainers.com)  
[www.classiccontainers.com](http://www.classiccontainers.com)

**A - Total Height.**  
**B - Max. Decorating Area.**  
**C - Total bottle circumference.**  
☐ - Unprintable area.

# LABELING SPECIFICATIONS: 4 oz BOSTON ROUND



1700 S Hellman Ave, Ontario, California 91761  
Phone: (909) 930-3610 | Fax: (909) 930-3640  
e-mail: [info@classiccontainers.com](mailto:info@classiccontainers.com)  
[www.classiccontainers.com](http://www.classiccontainers.com)

**A - Total Height.**  
**B - Max. Decorating Area.**