



Drawing:  
**20mm Orifice Reducer**  
**Friction Fit Rib Non**  
**Standard**

Manufacturing Process:  
**Injection Molding**

Stock Color:  
**Natural**

Gram Weight:  
**0.90 ± 0.1**

Case Pack:  
**6000**

Case Weight (lb):  
**12.8 ± 1.3**

Cases Per Pallet:  
**45**

Box Dimensions:  
**12 x 12 x 10"**

**\* "O" ORIFICE OPTIONS:**

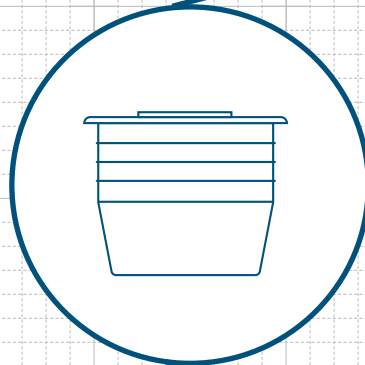
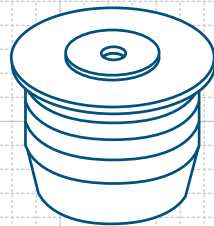
Stock Code:	Orifice Size:
20OR2281014NS35	.035"± 0.005
20OR2281014NS60	.060"± 0.005
20OR2281014NS90	.090"± 0.005
20OR2281014N125	.125"± 0.005
20OR2281014N180	.180"± 0.005
20OR2281014N310	.310"± 0.005

Compatible with:  
**Classic Containers**  
**PETE Bottles**

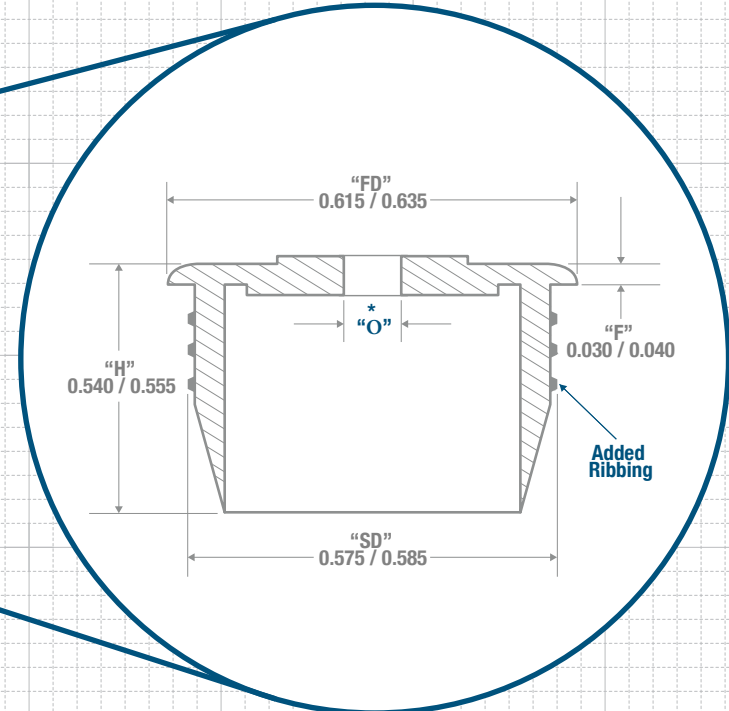
Stock Material:



**CLASSIC CONTAINERS INC**  
 1700 S. Hellman Ave.  
 Ontario, CA 91761  
 Phone: 909-930-3610  
 e-mail: info@classiccontainers.com  
 www.classiccontainers.com



**ORIFICE REDUCER DETAIL**



**RECOMMENDED NECK FINISH**

**LAND AREA MUST BE SMOOTH**

