



Drawing:
2 oz Cylinder Round 8 mm
M2

Stock Code:
0002000100800M2

Manufacturing Process:
Extrusion Blow Molding

Overflow Capacity:
62 - 71 ml (2.1 - 2.4 oz)

Gram Weight:
7.0 ± 1

Neck Finish:
8 mm

Base Width (A):
1.375 ± 0.050

Overall Height (B):
3.503 ± 0.050

Max Print Area (Height):
2.500"

Max Print Area (Width):
4.063"

Case Pack: 1004

Case Weight (lb): 17.6 ± 2.2

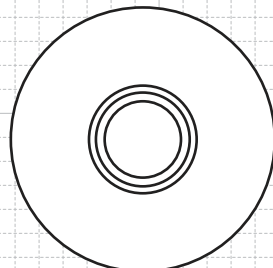
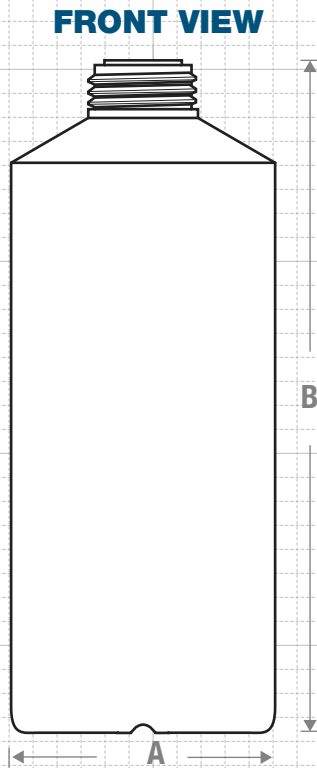
Cases Per Pallet: 25

Box Dimensions:
23 5/8 x 15 9/16 x 17

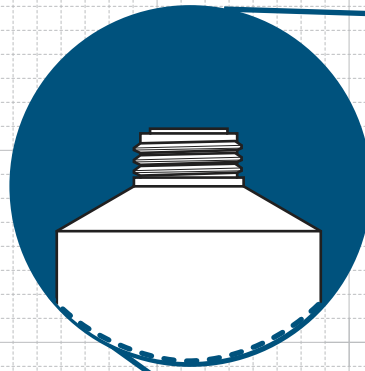
Stock Material:



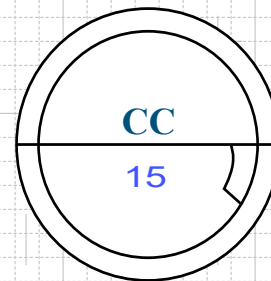
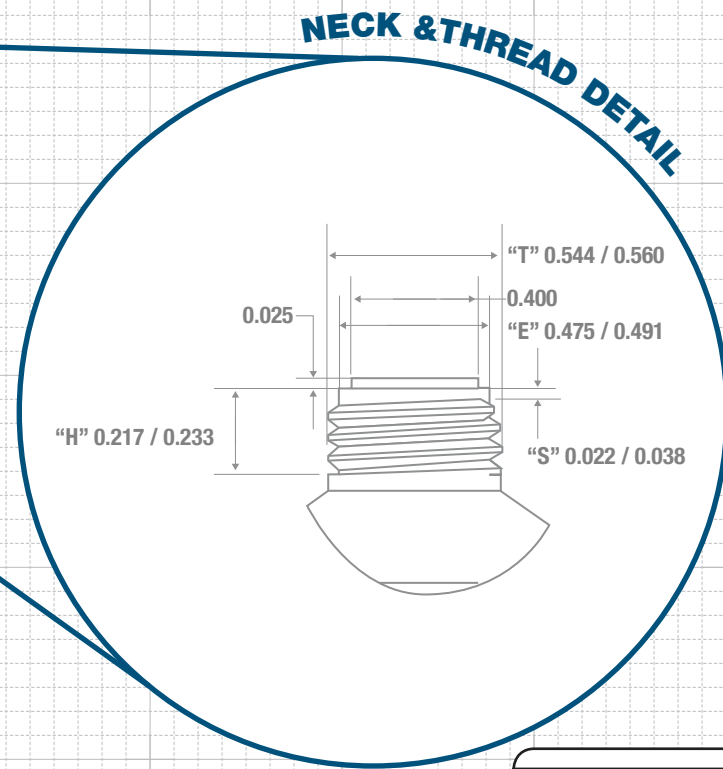
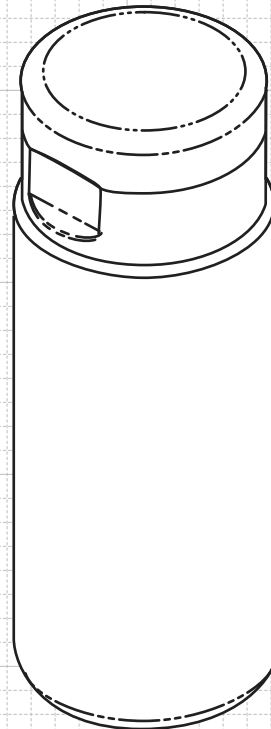
CLASSIC CONTAINERS INC
1700 S. Hellman Ave.
Ontario, CA 91761
Phone: 909-930-3610
e-mail: info@classiccontainers.com
www.classiccontainers.com



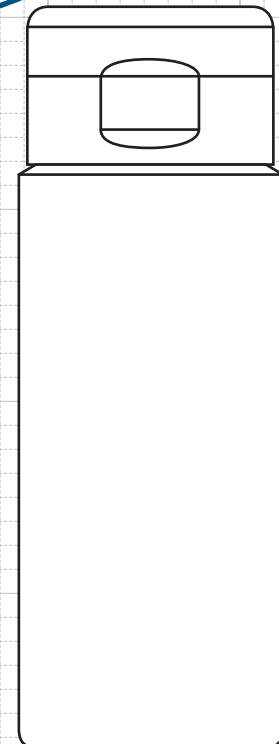
TOP VIEW



**Recommended Size Cap:
M8**



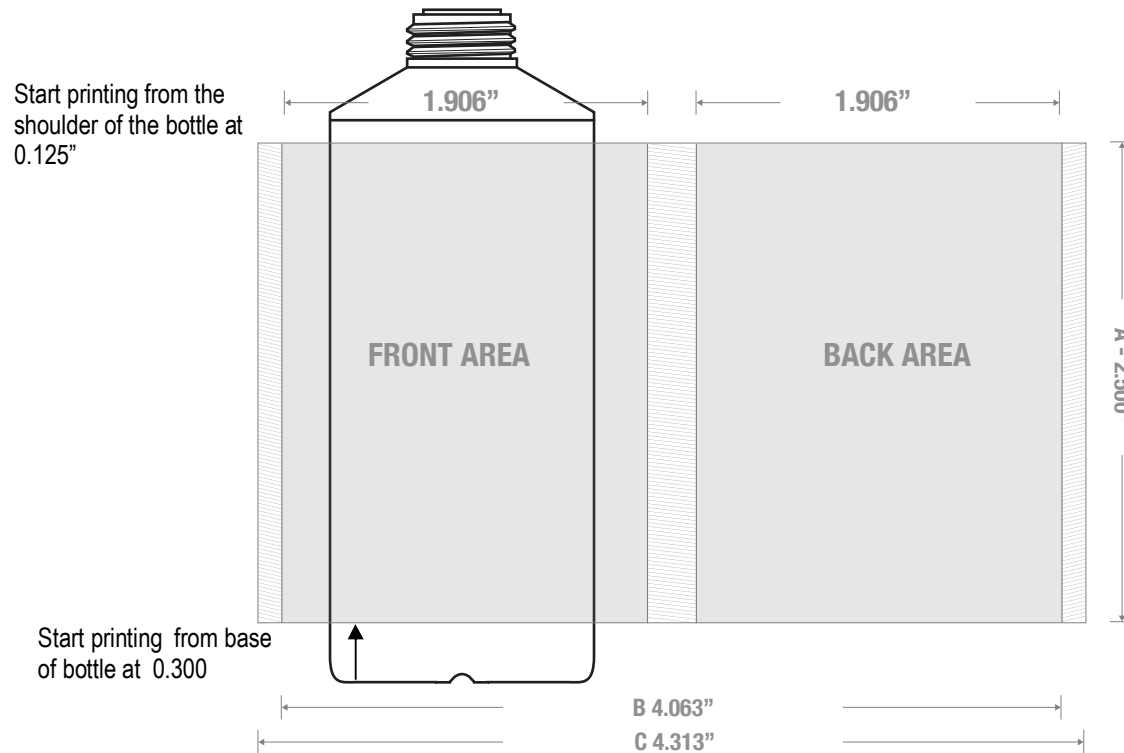
BOTTOM VIEW



NECK & THREAD DETAIL



PRINTING SPECIFICATIONS: 2 oz CYLINDER ROUND 8 mm M2

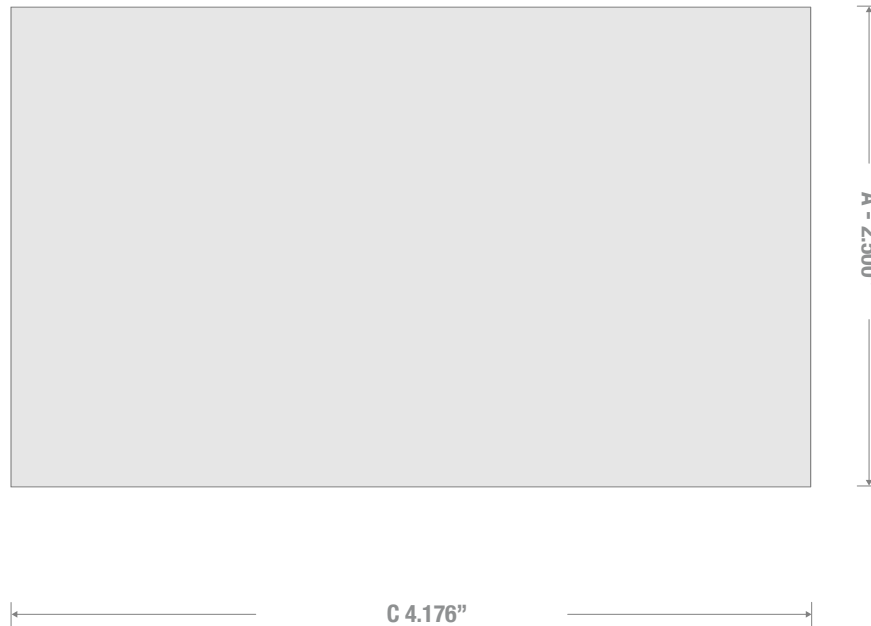


**LASSIC
CONTAINERS
Inc.**

1700 S Hellman Ave, Ontario, California 91761
Phone: (909) 930-3610 | Fax: (909) 930-3640
e-mail: info@classiccontainers.com
www.classiccontainers.com

A - Total Height.
B - Max. Decorating Area.
C - Total bottle circumference.
▨ - Unprintable area.

LABELING SPECIFICATIONS: 2 oz CYLINDER ROUND 8 mm M2



1700 S Hellman Ave, Ontario, California 91761
Phone: (909) 930-3610 | Fax: (909) 930-3640
e-mail: info@classiccontainers.com
www.classiccontainers.com

A - Total Height.
B - Total bottle circumference.