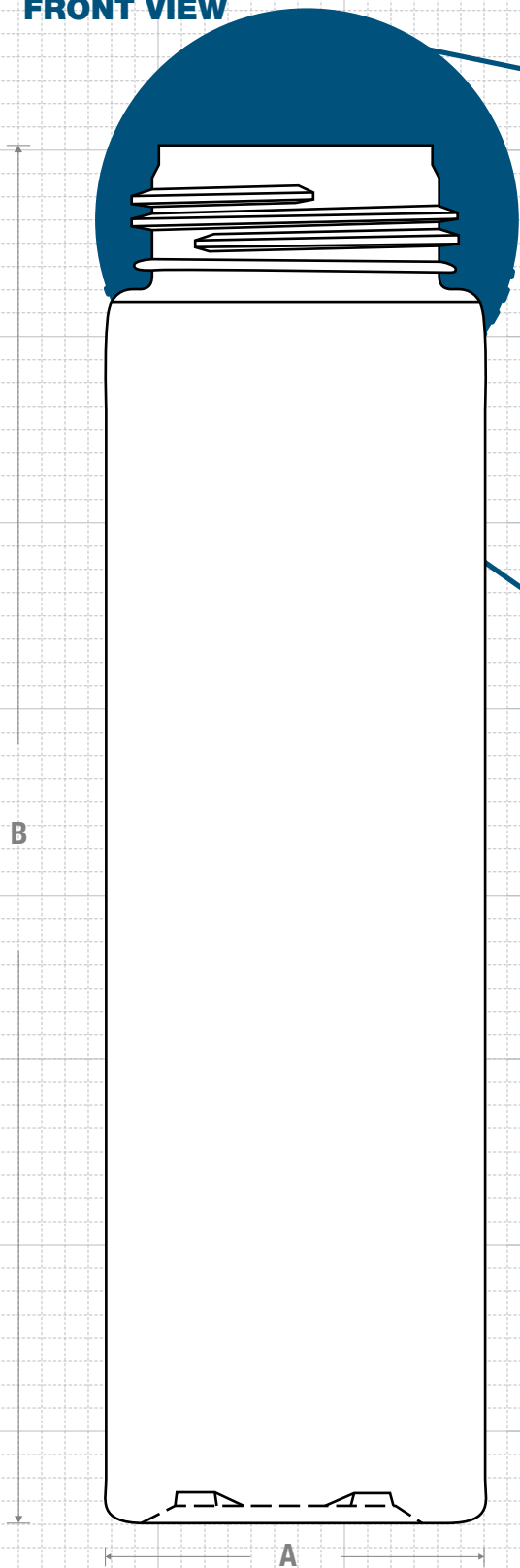
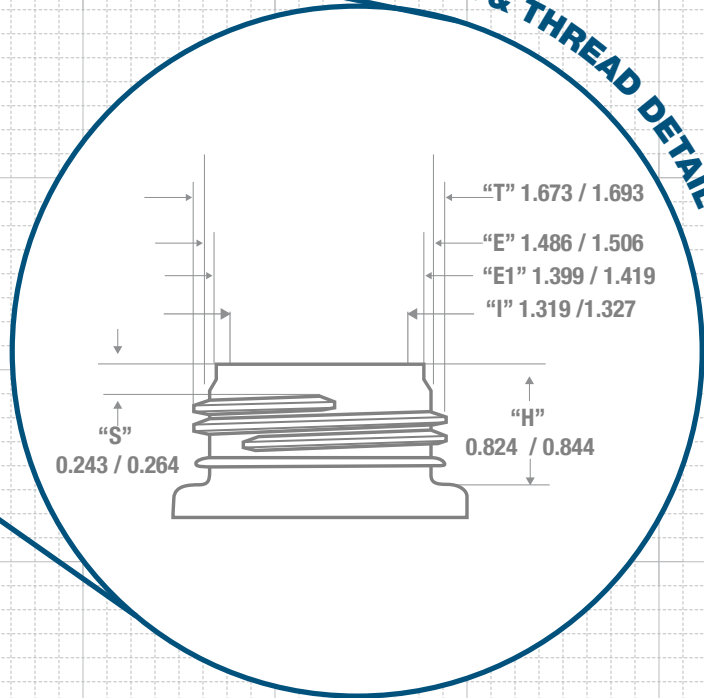


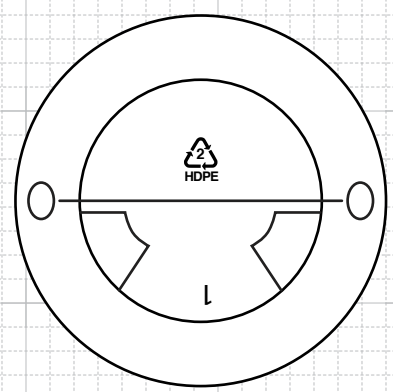
FRONT VIEW



NECK & THREAD DETAIL



- 2 HDPE
- 4 LDPE
- 5 PP
- 7 OTHER

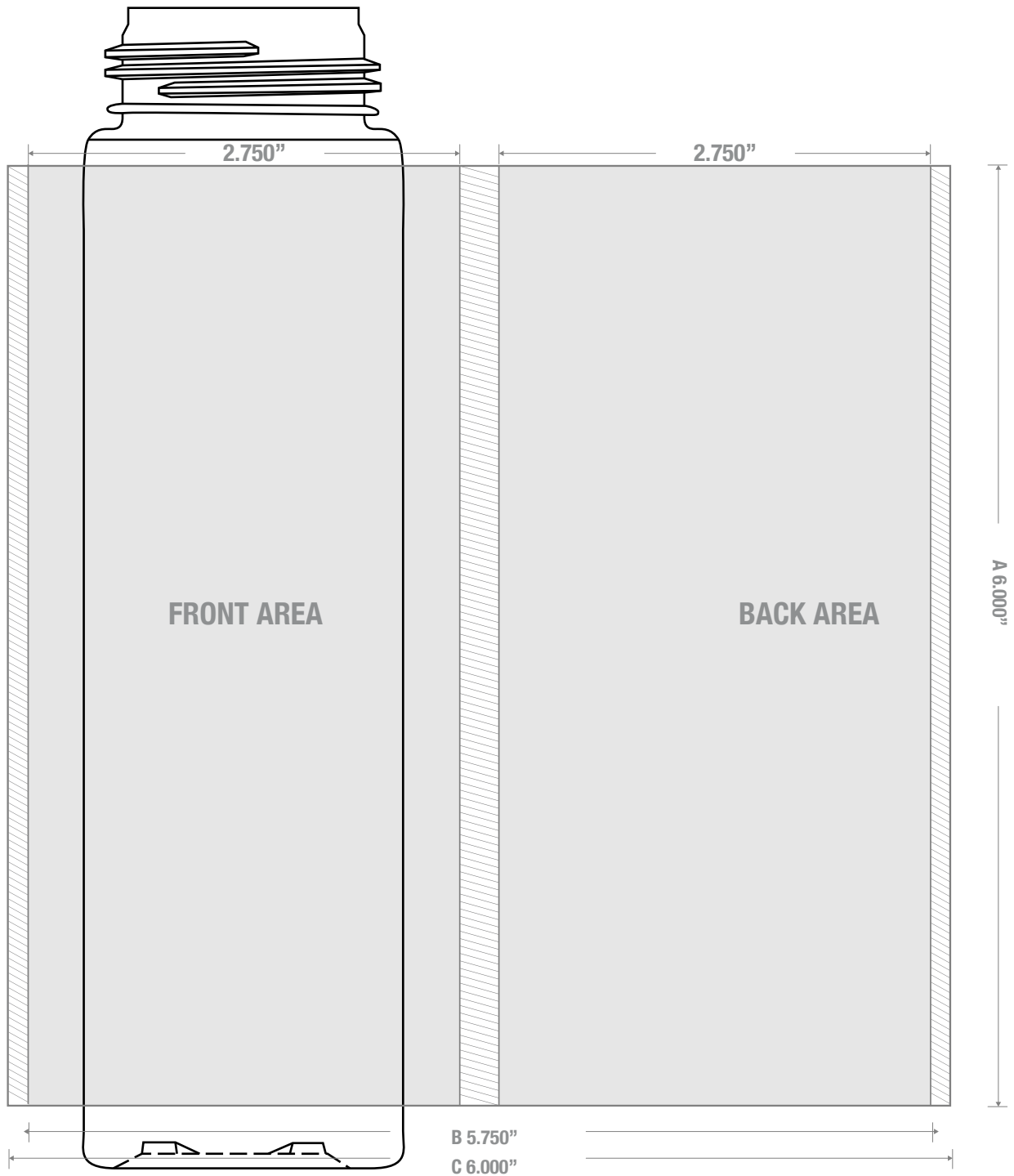


BOTTOM VIEW



CLASSIC CONTAINERS INC
 1700 S. Hellman Ave.
 Ontario, CA 91761
 Phone: 909-930-3610
 e-mail: info@classiccontainers.com
 www.classiccontainers.com

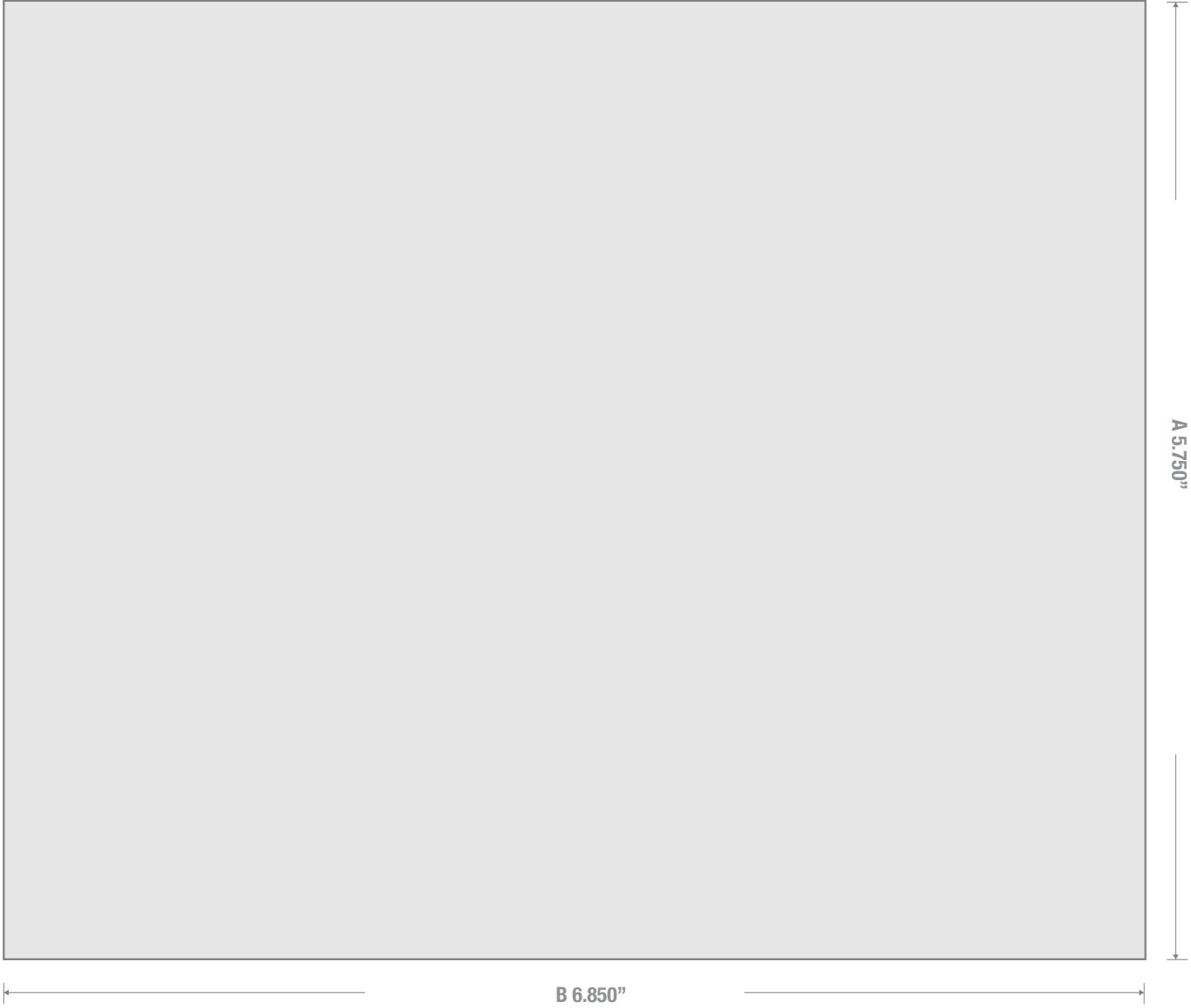
Drawing: 250 ml Classic Foamer 43 mm Riecke	Gram Weight: 30 ± 2	Max Print Area (Height): 6.000"	Cases Per Pallet: 16
Stock Code: 025000200440000	Neck Finish: 43 mm Riecke	Max Print Area (Width): 5.750"	Box Dimensions: 24 7/16 x 18 1/2 x 23
Manufacturing Process: Extrusion Blow Molding	Base Width (A): 1.930 ± 0.050	Case Pack: 396	Stock Material:
Overflow Capacity: 300 - 319 ml (10.2 - 10.8 oz)	Overall Height (B): 7.459 ± 0.050	Case Weight (lb): 29.0 ± 1.7	Rev #1 - 11/2015 Drawing not exactly to size.



1700 S Hellman Ave, Ontario, California 91761
Phone: (909) 930-3610 | Fax: (909) 930-3640
e-mail: info@classiccontainers.com
www.classiccontainers.com

A - Total Height.
B - Max. Decorating Area.
C - Total bottle circumference.
▨ - Unprintable area.

LABELING SPECIFICATIONS: 250 ml CLASSIC FOAMER 43 mm Rieke



1700 S Hellman Ave, Ontario, California 91761
Phone: (909) 930-3610 | Fax: (909) 930-3640
e-mail: info@classiccontainers.com
www.classiccontainers.com

A - Total Height.
B - Max. Decorating Area.