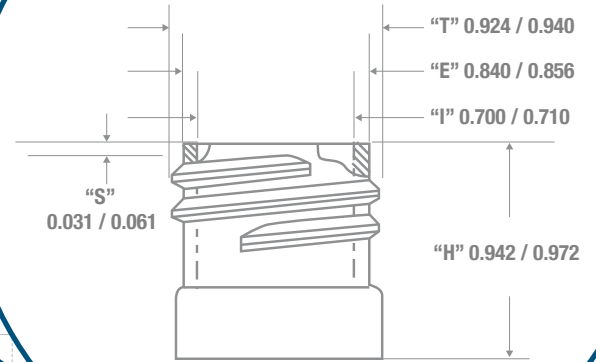
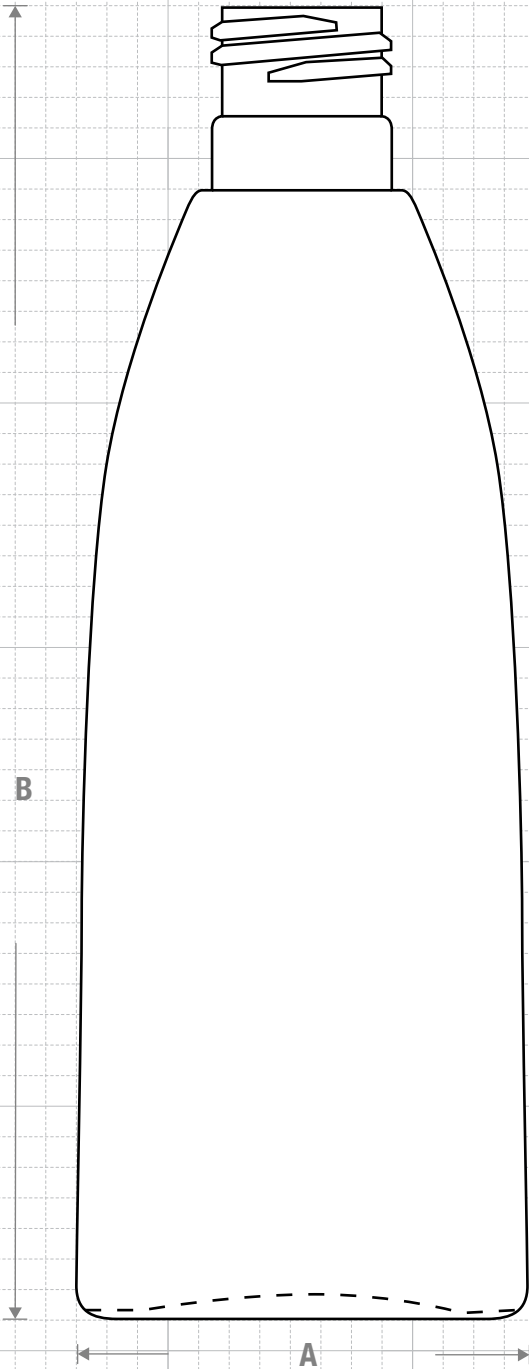




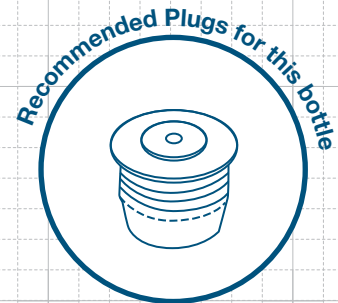
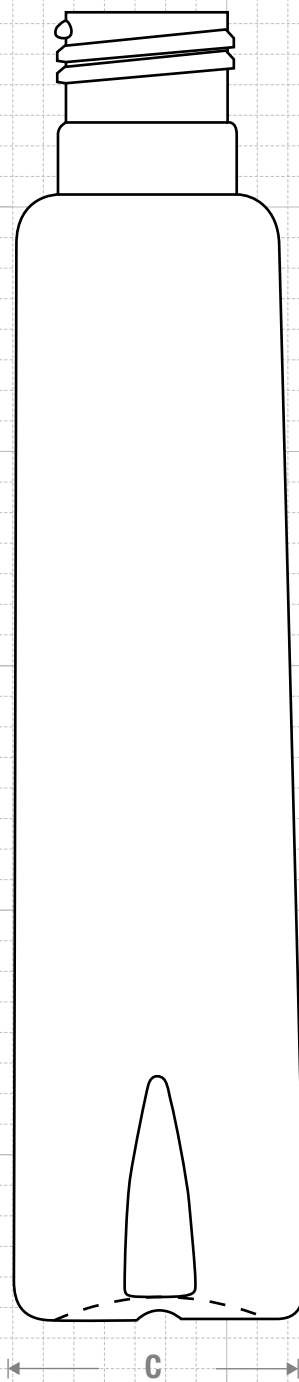
### NECK & THREAD DETAIL



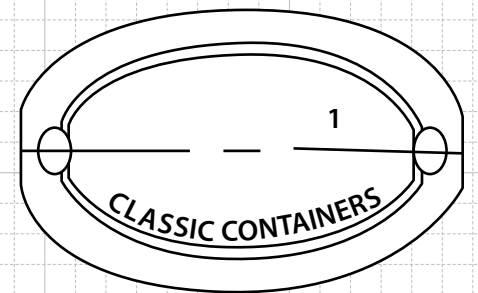
### FRONT VIEW



### SIDE VIEW



### FRICITION FIT



### BOTTOM VIEW



**CLASSIC CONTAINERS INC**  
 1700 S. Hellman Ave.  
 Ontario, CA 91761  
 Phone: 909-930-3610  
 e-mail: info@classiccontainers.com  
 www.classiccontainers.com

Drawing:  
**6 oz Teardrop 24/415**

Gram Weight:  
**18.0 ± 2**

Max Print Area (Height):  
**4.000"**

Cases Per Pallet: **16**

Stock Code:  
**000600350250000**

Neck Finish:  
**24/415**

Max Print Area (Width):  
 Shoulder: **0.750"** Base: **1.500"**

Box Dimensions:  
**24 7/16 x 18 1/2 x 23**

Manufacturing Process:  
**Extrusion Blow Molding**

Base Width (A) Base Deep (C):  
**2.300 ± 0.050 1.534 ± 0.050**

Case Pack: **502**

Stock Material:



Overflow Capacity:  
**200 -212 ml (6.8 - 7.2 oz)**

Overall Height (B):  
**6.750 ± 0.050**

Case Weight(lb): **22.8 ± 2.2**

Rev #3 06/2016

Drawing not exactly to size.

