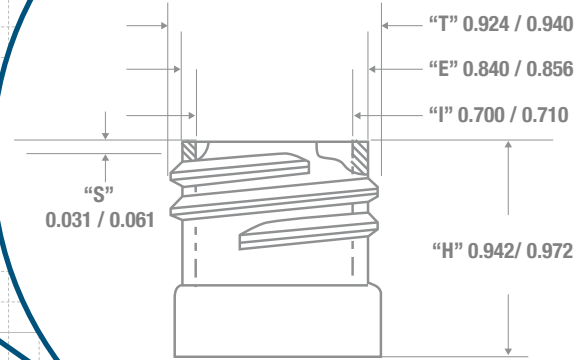


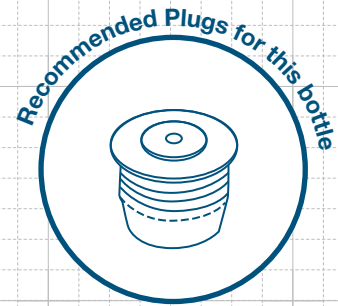
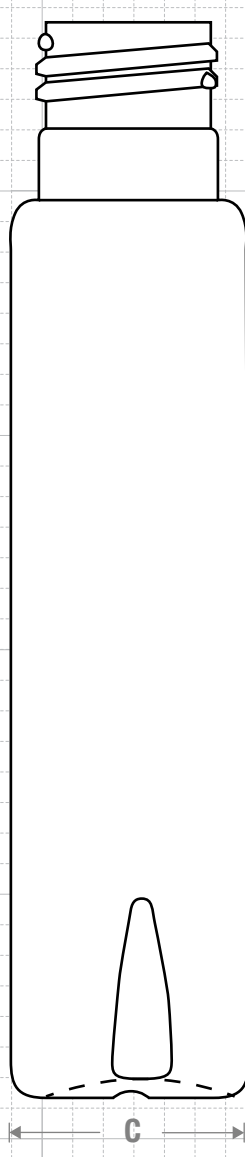
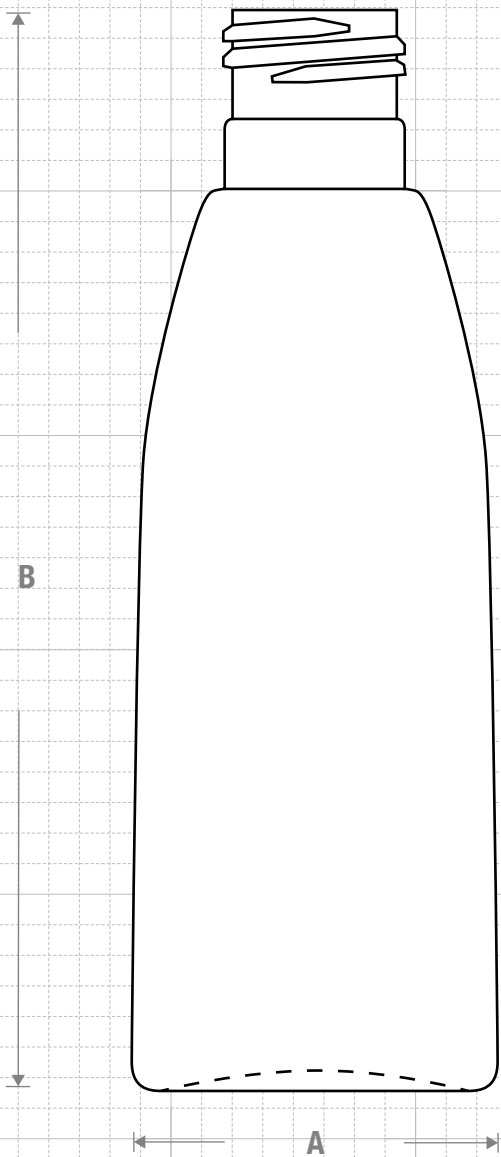


NECK & THREAD DETAIL



FRONT VIEW

SIDE VIEW



FRICITION FIT



BOTTOM VIEW



CLASSIC CONTAINERS INC
 1700 S. Hellman Ave.
 Ontario, CA 91761
 Phone: 909-930-3610
 e-mail: info@classiccontainers.com
 www.classiccontainers.com

Drawing:
4 oz ml Teardrop 24/415

Gram Weight:
15.0 ± 1

Max Print Area (Height):
3.540"

Cases Per Pallet: **25**

Stock Code:
000400350250000

Neck Finish:
24/415

Max Print Area (Width):
 Shoulder: **0.500"** Base: **1.250"**

Box Dimensions:
23 5/8 x 15 9/16 x 17

Manufacturing Process:
Extrusion Blow Molding

Base Width (A) BaseDeep (C):
1.939± 0.050 1.258± 0.050

Case Pack: **483**

Stock Material:



Overflow Capacity:
130 -142 ml (4.4- 4.8 oz)

Overall Height (B):
5.825 ± 0.050

Case Weight (lb): **18.0 ± 1.1**

Rev #3 06/2016

Drawing not exactly to size.

