



Drawing:  
2 oz Mayan 20/415

Stock Code:  
000200570210000

Manufacturing Process:  
Extrusion Blow Molding

Overflow Capacity:  
65 - 71 ml (2.2 - 2.4 oz)

Gram Weight:  
10 ± 1

Neck Finish:  
20/415

Base Width (A):  
1.691 ± 0.050

Overall Height (B):  
3.625 ± 0.050

Max Print Area (Height):  
1.875"

Max Print Area (Width):  
1.125"

Case Pack: 876

Case Weight (lb): 21.4 ± 1.9

Cases Per Pallet: 25

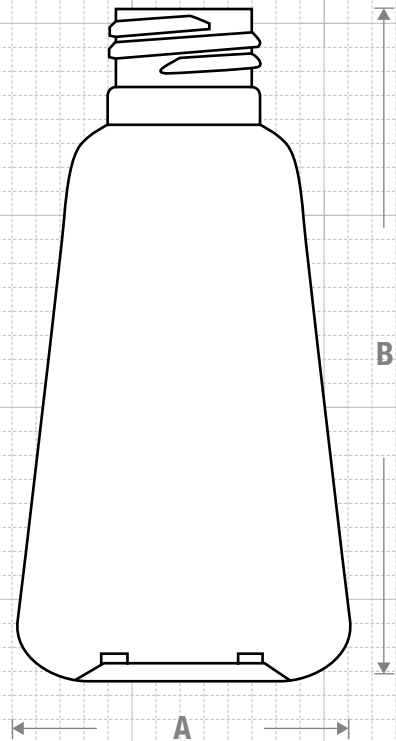
Box Dimensions:  
23 5/8 x 15 9/16 x 17

Stock Material:

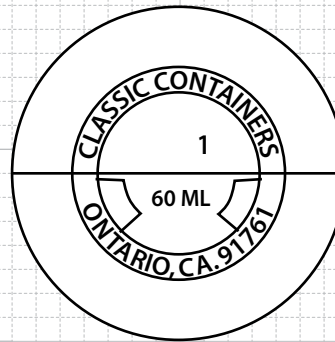
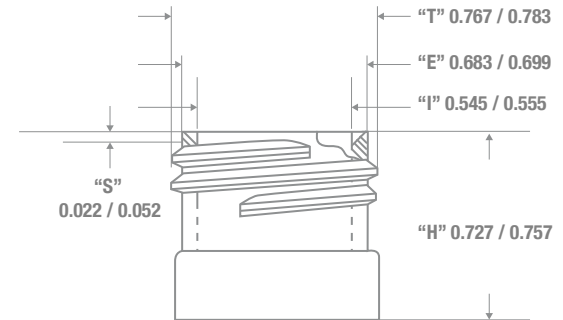


**CLASSIC CONTAINERS INC**  
1700 S. Hellman Ave.  
Ontario, CA 91761  
Phone: 909-930-3610  
e-mail: info@classiccontainers.com  
www.classiccontainers.com

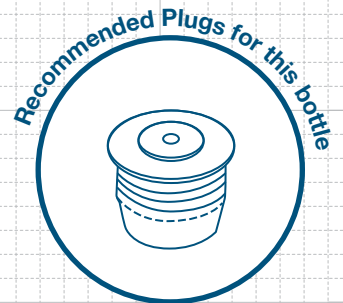
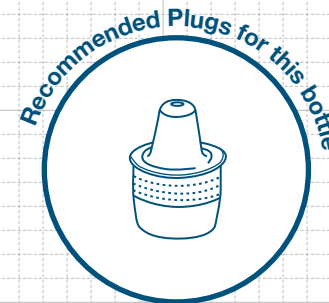
### FRONT VIEW



### NECK & THREAD DETAIL

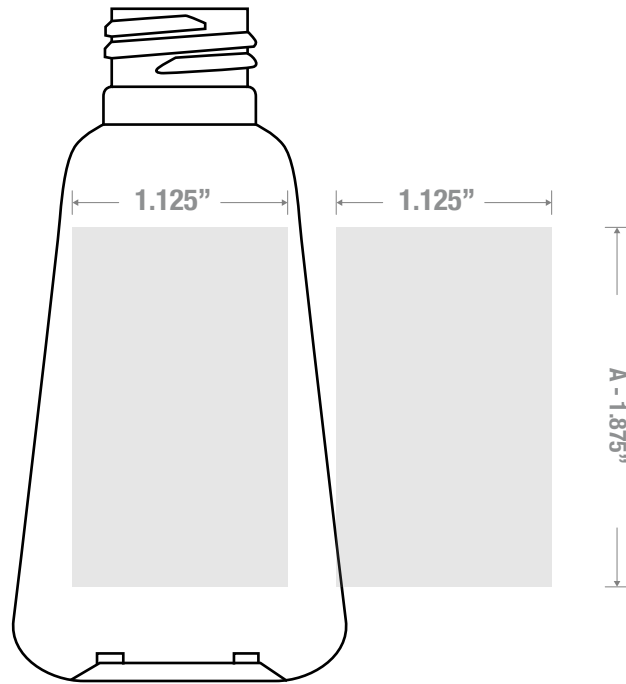


### BOTTOM VIEW



### FRICTION FIT

# PRINTING SPECIFICATIONS: 2 oz Mayan 20/415

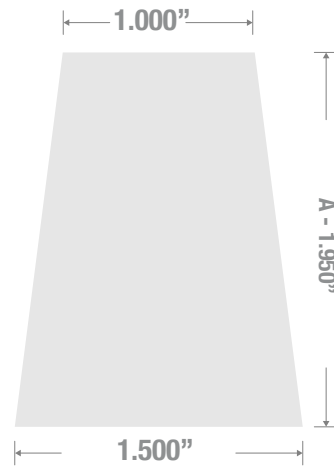


1700 S Hellman Ave, Ontario, California 91761  
Phone: (909) 930-3610 | Fax: (909) 930-3640  
e-mail: [info@classiccontainers.com](mailto:info@classiccontainers.com)  
[www.classiccontainers.com](http://www.classiccontainers.com)

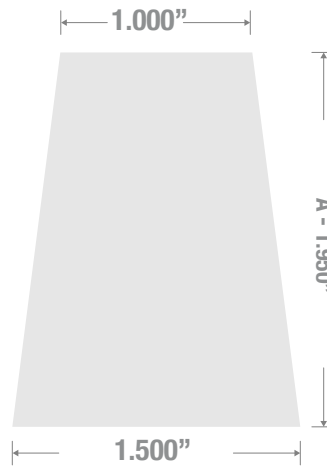
**A - Total Height.**  
**B - Max. Decorating Area.**

# LABEL SPECIFICATIONS: 2 oz Mayan 20/415

**FRONT**



**BACK**



1700 S Hellman Ave, Ontario, California 91761  
Phone: (909) 930-3610 | Fax: (909) 930-3640  
e-mail: [info@classiccontainers.com](mailto:info@classiccontainers.com)  
[www.classiccontainers.com](http://www.classiccontainers.com)

**A - Total Height.**  
**B - Max. Decorating Area.**