



Drawing:
2 oz Cylinder 24/410 IBM

Stock Code:

Manufacturing Process:
Injection Blow Molding

Overflow Capacity:
65 - 74 ml (2.2 - 2.5 oz)

Gram Weight:
10.0 ± 1

Neck Finish:
24/410

Base Width (A):
1.370 ± 0.050

Overall Height (B):
3.650 ± 0.050

Max Print Area (Height):
2.562"

Max Print Area (Width):
4.063"

Case Pack: 928

Case Weight (lb): 22.6 ± 2.0

Cases Per Pallet: 25

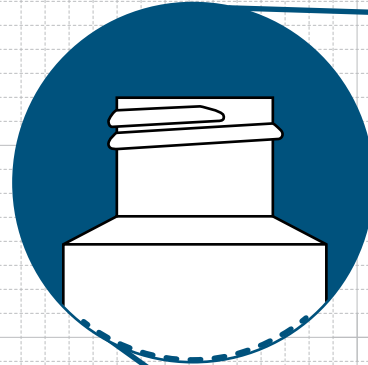
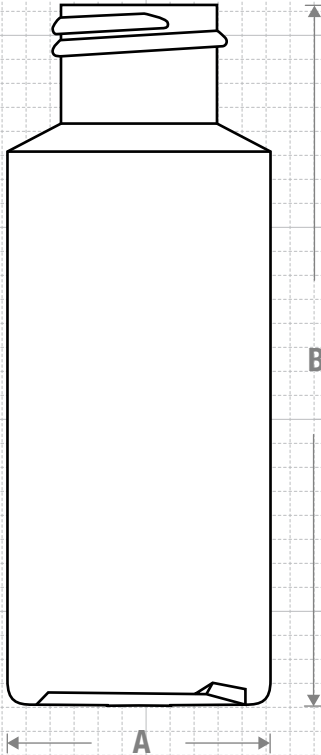
Box Dimensions:
23 5/8 x 15 9/16 x 17

Stock Material:

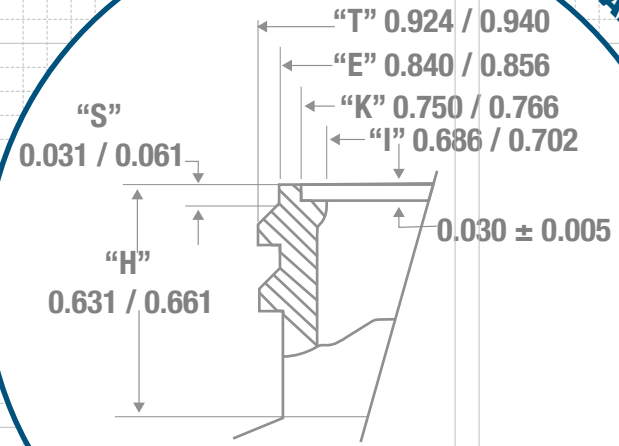


CLASSIC CONTAINERS INC
1700 S. Hellman Ave.
Ontario, CA 91761
Phone: 909-930-3610
e-mail: info@classiccontainers.com
www.classiccontainers.com

FRONT VIEW

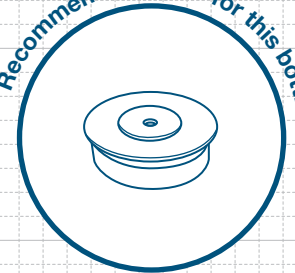


NECK & THREAD DETAIL

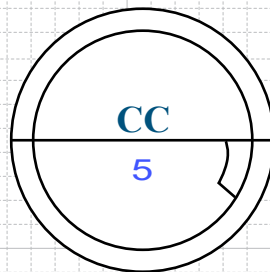


SNAP FIT
Stock Code: 0002000102400SF

Recommended Plugs for this bottle



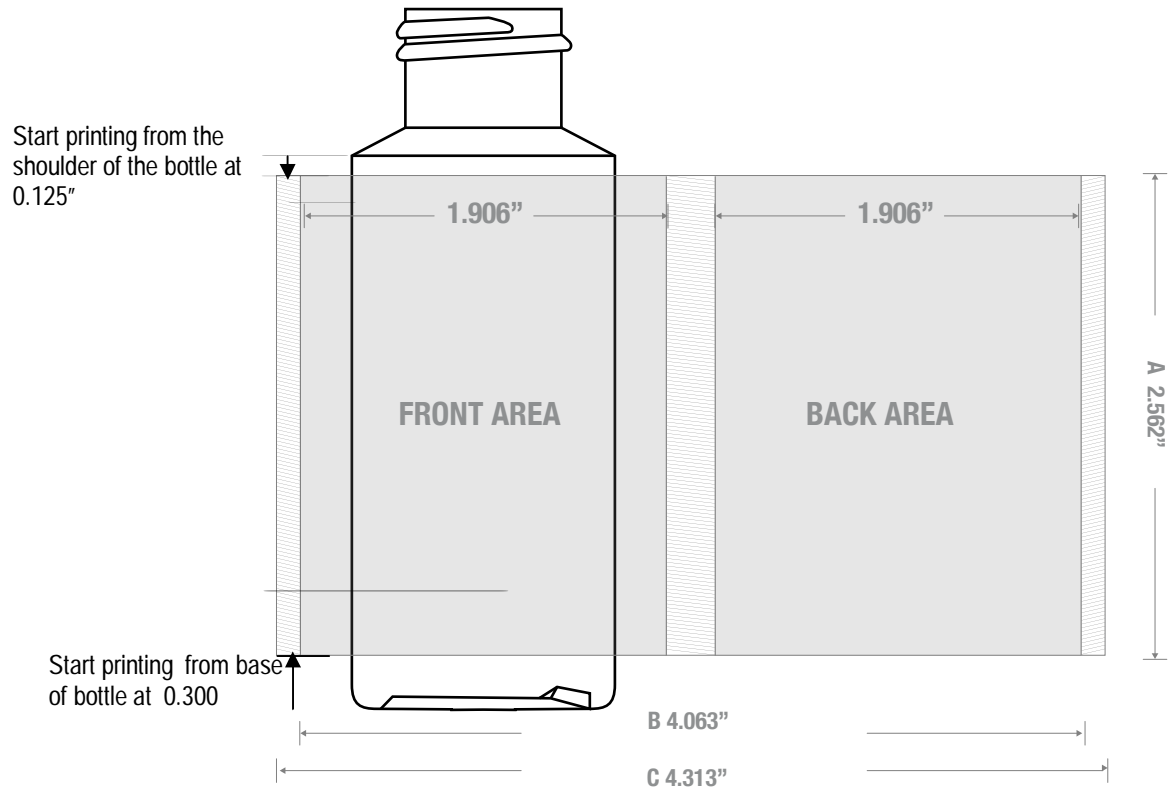
SNAP FIT



BOTTOM VIEW



PRINTING SPECIFICATIONS: 2 oz CYLINDER 24/410 IBM



1700 S Hellman Ave, Ontario, California 91761
Phone: (909) 930-3610 | Fax: (909) 930-3640
e-mail: info@classiccontainers.com
www.classiccontainers.com

A - Total Height.
B - Max. Decorating Area.
C - Total bottle circumference.
▨ - Unprintable area.

LABELING SPECIFICATIONS: 2 oz CYLINDER 24/410 IBM



1700 S Hellman Ave, Ontario, California 91761
Phone: (909) 930-3610 | Fax: (909) 930-3640
e-mail: info@classiccontainers.com
www.classiccontainers.com

A - Total Height.
B - Total bottle circumference.